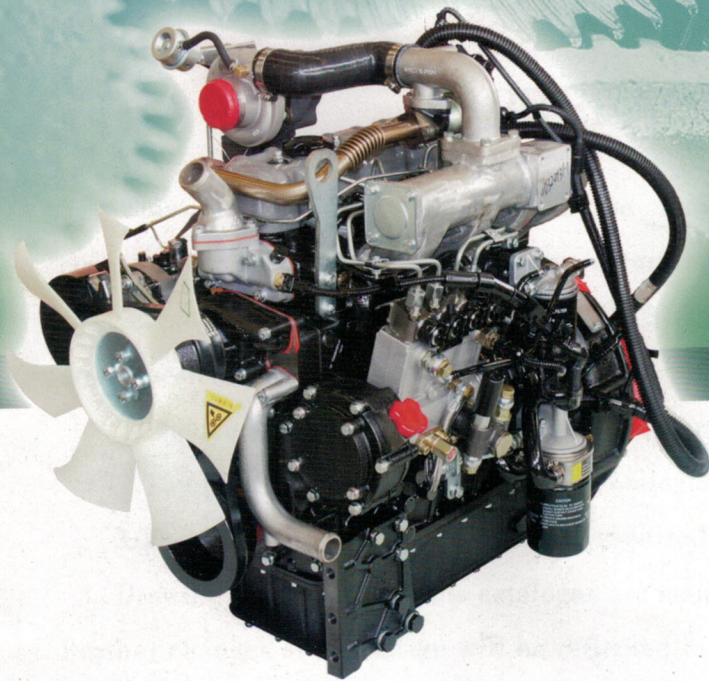




4D32ZT31

柴油机零件图册

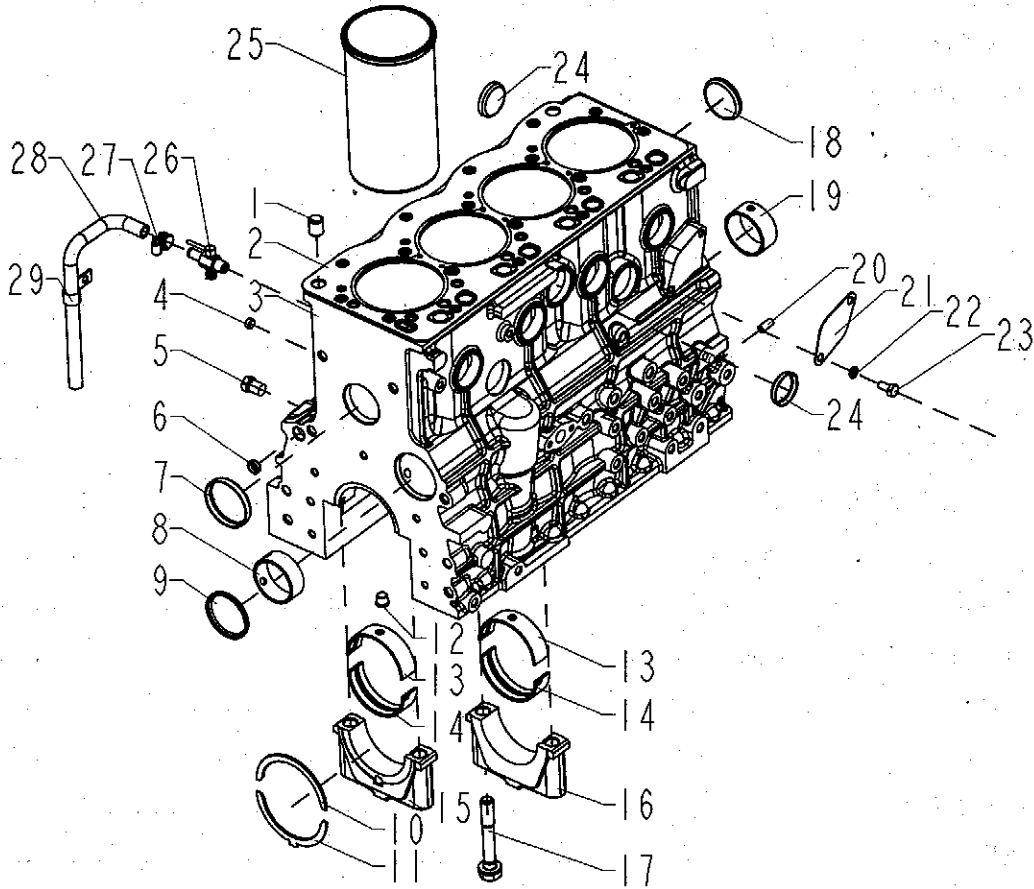
Parts Catalogue For 4D32ZT31 Diesel Engine



生产许可证
XK06-002-00443

 **浙江新柴股份有限公司**
ZHEJIANG XINCHAI CO., LTD

1 机体总成及附件 Engine block assembly and accessory



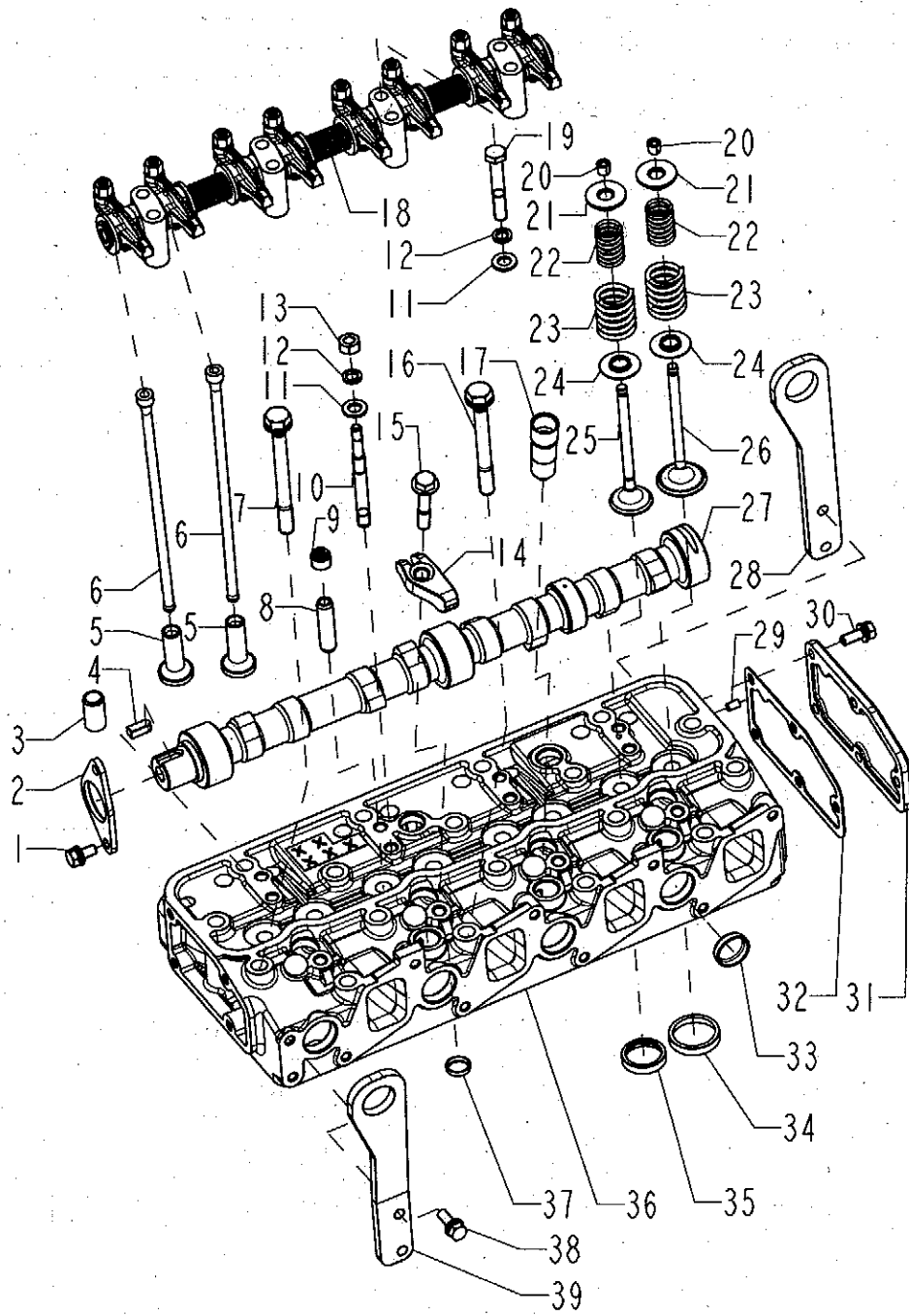
机体总成及附件 Engine block assembly and accessory

序号 Item	代号 Part No.	名称	Description	数量 Qty	备注 remark
1	GB/T119.1-16 h8x20	销 16 h8x20	Pin 16 h8x20	2	
2	A498B-01004	气缸盖衬垫	Cylinder head gasket	1	
3	A498BZ-01001	机体	Engine block	1	
4	490B-01029	螺塞 R1/8	Plug screw R1/8	4	
5	490B-01081-1	螺塞 NPT1/4	Plug screw NPT1/4	1	
6	490B-01080	碗型塞片 15	Bowl-shaped plug 15	2	
7	495B-01050	碗型塞片 60	Bowl-shaped plug 60	1	
8	495B-01008A	后凸轮轴衬套	Rear camshaft bush	1	
9	490B-01009	碗型塞片 58	Bowl-shaped plug 58	1	
10	495B-01026A	曲轴止推片 (上)	Upper crankshaft thrust plate	2	
11	495B-01022A	曲轴止推片 (下)	Lower crankshaft thrust plate	2	
12	490B-01027	中间堵塞	Middle blocking	1	
13	495B-01034A	主轴瓦上瓦	Upper main bearing shell	5	
14	495B-01033A	主轴瓦下瓦	Lower main bearing shell	5	
15	A498B-01023	后主轴承盖	Rear main bearing cover	1	
16	A498B-01032	主轴承盖	Main bearing cover	4	
17	A498B-01019A	主轴承螺栓	Main bearing bolt	10	
18	495B-01047	碗型塞片 50	Bowl-shaped plug 50	1	
19	495B-01007A	凸轮轴衬套	Camshaft bush	2	
20	GB/T119.2-8x20-B	销 8x20-B	Pin 8x20-B	1	
21	A498BZL-01082-1	进水口盖板	Water inlet cover	1	
22	GB93-8	垫圈 8	Washer 8	2	

机体总成及附件 Engine block assembly and accessory

序号 Item	代号 Part No.	名称	Description	数量 Qty	备注 remark
23	GB/T5783-M8x16	螺栓 M8x16	Bolt M8x16	2	
24	490B-01079	碗型塞片 40	Bowl-shaped plug 40	10	
25	A498B-01005	气缸套	Cylinder liner	4	
26	490BT-01100	放水阀部件	Drain valve unit	1	
27	JB/T8870-d16	喉箍 d16	Hose clamp d16	1	
28	490BT-01075	放水阀胶管	Drain valve hose	1	
29	490BT-01105	放水胶管固定架	Drain valve hose bracket	1	

2 气缸盖及配气机构 Cylinder head and valve system assembly

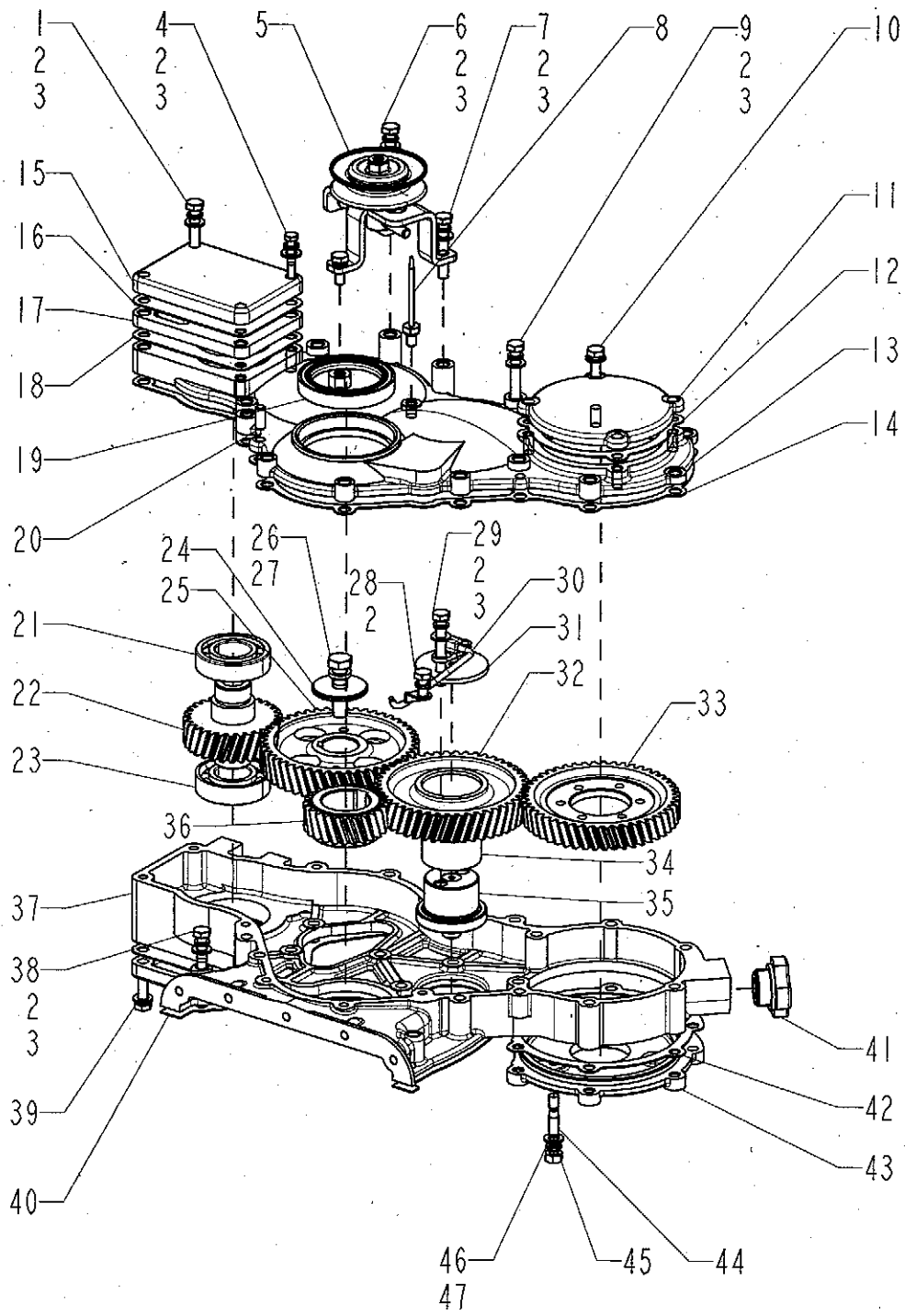


气缸盖及配气机构 Cylinder head and gas exchanging system assembly					
序号 Item	代号 Part No.	名称	Description	数量 Qty	备注 remark
1	GB/T9074.17-M8x18	螺栓 M8x18	Bolt M8x18	2	
2	490B-02008	凸轮轴止推板	Thrust plate for camshaft	1	
3	4D27G31-03110	堵套	Block set	4	
4	GB/T1096-C8x7x22	普通平键	Key	1	
5	490B-06002	气门挺柱	Push tappet	8	
6	495B-06003	气门推杆	Push rod	8	
7	490B-01002A	气缸盖螺栓 (甲)	Bolt	14	
8	A490BZL-03102A	气门导管	Valve guide	8	
9	A490BZL-03016	气门导管油封	Oil seal	8	
10	490B-03001	气门摇臂轴支座螺柱	Stud	4	
11	GB/T97.1-10	垫圈 10	Washer 10	8	
12	GB 93-10	垫圈 10	Washer 10	8	
13	GB/T6170-M10	1型六角螺母	Nut	4	
14	A490B-03016A	喷油器压板	Pressure plate	4	
15	A490B-03019	喷油器紧固螺栓	Bolt	4	
16	490B-01003A	气缸盖螺栓 (乙)	Bolt	4	
17	A490B-03109	喷油器铜套	Sleeve tube	4	
18	490B-03200	气门摇臂轴部件	Valve rocker arm part	1	
19	GB/T5782-M10x65	螺栓 M10x65	Bolt M10x65	4	
20	490B-03006	气门锁夹	Split valve retainer	16	
21	490B-03007	气门弹簧上座	Valve spring seat, upper	8	
22	490B-03005	气门内弹簧	Valve spring, inner	8	

气缸盖及配气机构 Cylinder head and gas exchanging system assembly

序号 Item	代号 Part No.	名称	Description	数量 Qty	备注 remark
23	490B-03004	气门外弹簧	Valve spring,outer	8	
24	490B-03011	气门弹簧下座	Lower seat, valve spring	8	
25	495B-03015	排气门	Exhaust valve	4	
26	A498BZ-03014	进气门	Intake valve	4	
27	495B-06001-2	凸轮轴	Camshaft	1	
28	490B-03009-11	吊耳	Hoisting bracket	1	
29	4D27G31-03111	堵塞	Block	1	
30	GB/T9074.17-M8x22	螺栓 M8x22	Bolt M8x22	5	
31	490B-03012	后端盖	Rear cover	1	
32	490B-03013A	后端盖衬垫	Gasket	1	
33	490B-01078	碗形塞片 30	Pulg 30	4	
34	4D35ZT31-03107	进气门座	Intake valve seat	4	
35	4D35ZT31-03108	排气门座	Exhaust valve seat	4	
36	A498B-03101	气缸盖	Cylinder head	1	
37	490B-03017	碗形堵塞 20	Pulg 20	7	
38	490B-03009-13	吊耳	Hoisting bracket	1	
39	GB/T9074.17-M8x25	螺栓 M8x25	Bolt M8x25	4	

3 正时齿轮传动总成 Timing gear train assembly

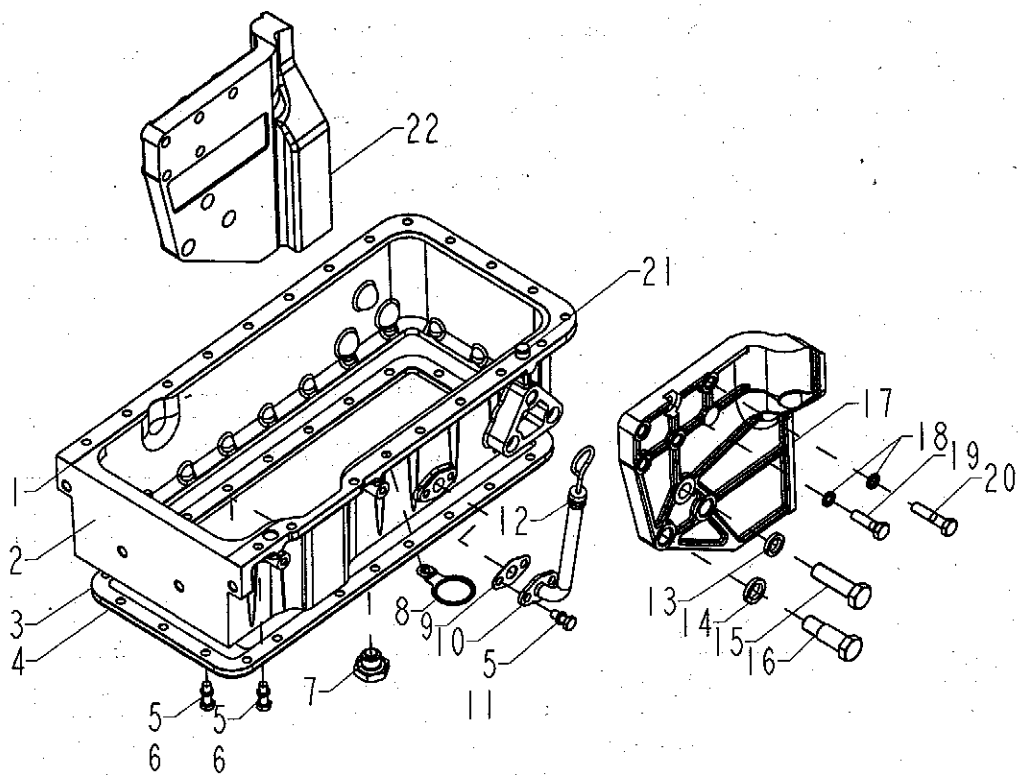


正时齿轮传动总成 Timing gear train assembly

序号 Item	代号 Part No.	名称	Description	数量 Qty	备注 remark
1	GB/T5782-M8x65	螺栓 M8x65	Bolt M8x65	3	
2	GB93-8	垫圈 8	Washer 8	23	
3	GB/T97.1-8	垫圈 8	Washer 8	22	
4	GB/T5782-M8x40	螺栓 M8x40	Bolt M8x40	2	
5	490BT-16200-1	张紧轮总成	Tensioning pulley assembly	1	
6	GB/T5782-M8x92	螺栓 M8x92	Bolt M8x92	1	
7	GB/T5782-M8x50	螺栓 M8x50	Bolt M8x50	1	
8	490BT-16012	正时指针	Timing pointer	1	
9	GB/T5782-M8x70	螺栓 M8x70	Bolt M8x70	6	
10	GB/T9074.17-M8x25	螺栓 M8x25	Bolt M8x25	11	
11	490BT-16016	空气压缩机盖板	Air compressor plate	1	
12	490BT-16005	空气压缩机盖板垫片	Air compressor plate gasket	1	
13	490BT-16001-1	正时齿轮室盖	Timing gear housing cover	1	
14	490BT-16002-1	正时齿轮室盖垫片	Timing gear housing cover gasket	1	
15	490BT-16014A	液压泵端盖	Hydraulic pump end cover	2	
16	490BT-16013-1	液压泵端盖垫片	Hydraulic pump end cover gasket	2	
17	490BT-16021	前液压泵联接板	Front hydraulic pump connecting plate	1	
18	490BT-16017	前液压泵联接板垫片	Front hydraulic pump connecting plate gasket	1	
19	490B-16035	前油封	Front oil seal	1	
20	GB/T119.2-8x20-B	销 8x20-B	Pin 8x20-B	2	
21	GB/T276-6206	滚动轴承 6206	Rolling bearing 6206	1	
22	490BT-02010-1	液压泵齿轮	Hydraulic pump gear	1	
23	GB/T292-7206AC	滚动轴承 7206AC	Rolling bearing 7206AC	1	
24	490B-02011	凸轮轴正时齿轮压板	Camshaft timing gear plate	1	

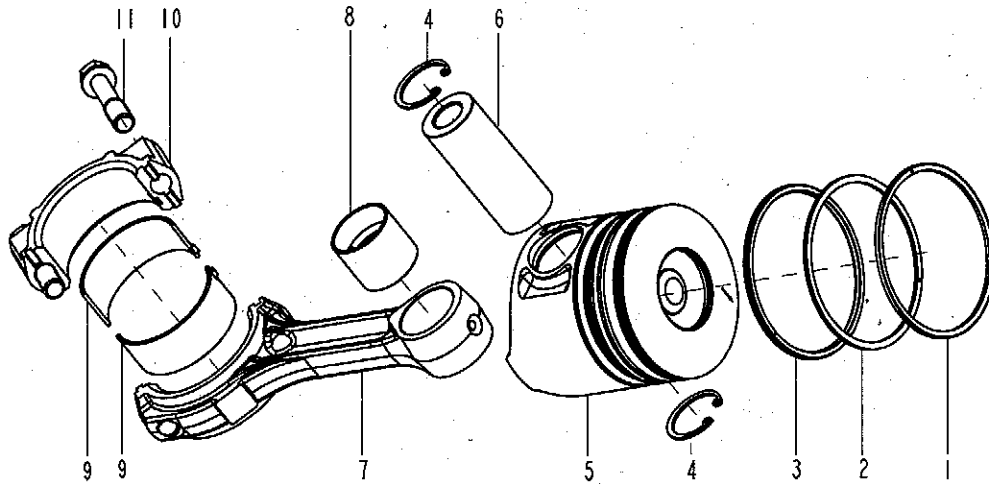
正时齿轮传动总成 Timing gear train assembly					
序号 Item	代号 Part No.	名称	Description	数量 Qty	备注 remark
25	490BT-02009	凸轮轴正时齿轮	Camshaft timing gear	1	
26	GB/T5782-M12x45	螺栓 M12x45	Bolt M12x45	1	
27	GB93-12	垫圈 12	Washer 12	1	
28	GB/T5783-M8x16	螺栓 M8x16	Bolt M8x16	1	
29	GB/T5782-M8x60	螺栓 M8x60	Bolt M8x60	4	
30	490BT-02100	过油管焊接部件	Fuel injection pipe welding unit	1	
31	490B-02012-1	惰齿轮轴压板	Idler gear shaft plate	1	
32	490BT-02006	正时惰齿轮	Timing idler gear	1	
33	4D27ZT31-02003	喷油泵正时齿轮	Fuel injection pump timing gear	1	
34	490B-02005	正时惰齿轮衬套	Timing idle gear bush	1	
35	490B-02004	正时惰齿轮轴	Timing idle gear shaft	1	
36	490BT-02007	曲轴正时齿轮	Crankshaft timing gear	1	
37	490BT-16003-1	正时齿轮室	Timing gear housing	1	
38	GB/T5782-M8x45	螺栓 M8x45	Bolt M8x45	2	
39	GB/T9074.17-M8x30	螺栓 M8x30	Bolt M8x30	8	
40	490BT-16009	正时齿轮室垫片	Timing gear housing gasket	1	
41	495BT-16100	齿轮室加油口盖总成	Timing gear housing oil filler cap assembly	1	
42	490B-16008	喷油泵联接法兰垫片	Fuel injection pump connecting flange gasket	1	
43	4D27ZG31-16004	喷油泵联接法兰	Fuel injection pump connecting flange	1	
44	GB898-GM10x30	螺柱 AM10x30	Stud AM10x30	3	
45	GB/T6170-M10	螺母 M10	Nut M10	3	
46	GB93-10	垫圈 10	Washer 10	3	
47	GB/T97.1-10	垫圈 10	Washer 10	3	

4 油底壳及侧支架总成 Oil pan and engine bracket assembly



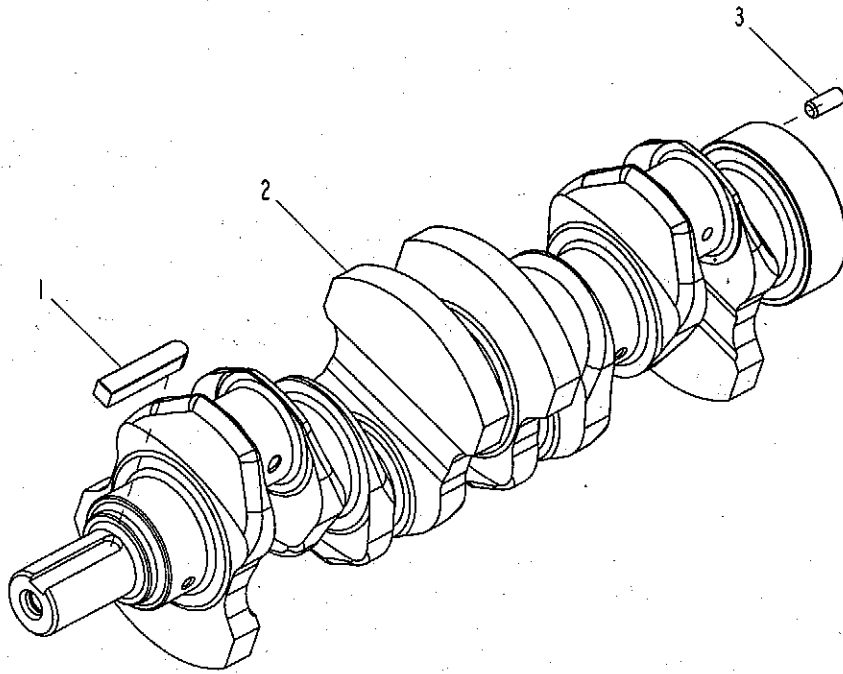
油底壳及侧支架总成 Oil pan and engine bracket assembly					
序号 Item	代号 Part No.	名称	Description	数量 Qty	备注 remark
1	490BT-07002	油底壳垫片	Oil pan gasket	1	
2	495BT-07106	主油底壳	Main oil pan	1	
3	490BT-07004	油底壳底板垫片	Oil pan cover gasket	1	
4	490BT-07003-2	油底壳底板	Oil pan cover	1	
5	GB93-8	垫圈 8	Washer 8	45	
6	GB/T5783-M8x25	螺栓 M8x25	Bolt M8x25	43	
7	490B-07600	六角头磁性螺塞部件	Magnetic plug screw unit	1	
8	495B-34015	抱箍	Hold hoop	1	
9	490BT-07303A	机油标尺套管垫片	Oil dipstick cannula gasket	1	
10	490BT-07300-1	机油标尺套管焊接部件	Oil dipstick cannula unit	1	
11	GB/T5783-M8x20	螺栓 M8x20	Bolt M8x20	2	
12	490BT-07200-2	机油标尺部件	Oil dipstick unit	1	
13	GB93-16	垫圈 16	Washer 16	2	
14	GB93-18	垫圈 18	Washer 18	4	
15	GB/T5783-M16x55	螺栓 M16x55	Bolt M16x55	2	
16	490BT-07800	发动机前支架螺栓	Engine bracket bolt	4	
17	4D32ZT31-15001R	右侧支架	Right engine bracket	1	
18	GB93-10	垫圈 10	Washer 10	10	
19	GB/T5782-M10x35	螺栓 M10x35	Bolt M10x35	1	
20	GB/T5782-M10x45	螺栓 M10x45	Bolt M10x45	9	
21	490BT-07008	销	Pin	2	
22	4D32ZT31-15001L	左侧支架	Left engine bracket	1	

5 活塞连杆总成 Piston and connecting rod assembly



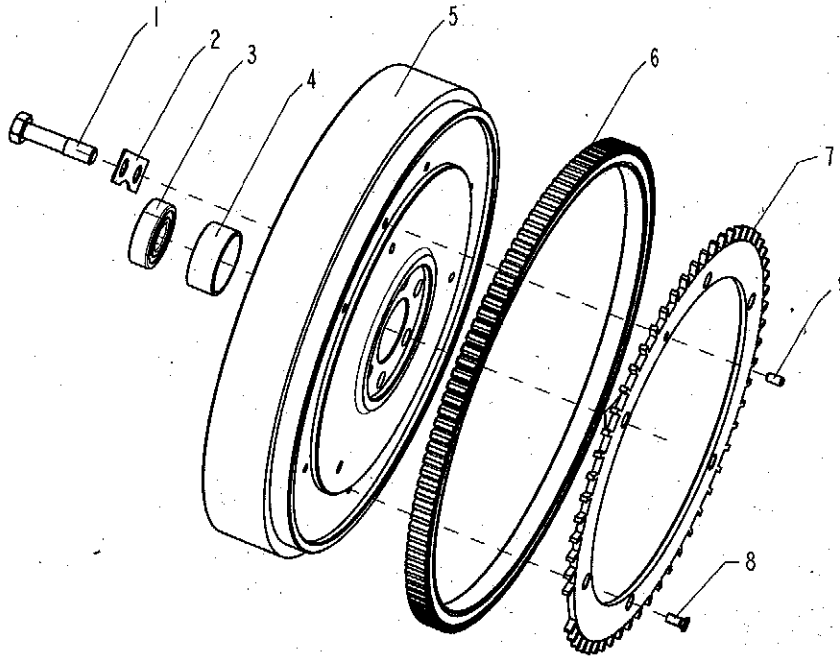
活塞连杆总成 Piston and connecting rod assembly.					
序号 Item	代号 Part No.	名称	Description	数量 Qty	备注 remark
1	A498B-04002A	第一道气环	Top compression ring	4	
2	A498B-04003	第二道气环	Second compression ring	4	
3	A498B-04100	油环	Oil ring	4	
4	GB893.1-34	挡圈 34	Circlip 34	8	
5	A498B-04001-1A	活塞	Piston	4	
6	A498B-04004A	活塞销	Piston pin	4	
7	A498B-04201	连杆体	Connecting rod	4	
8	A498B-04205	连杆衬套	Connecting rod bush	4	
9	495B-04005-1A	连杆轴瓦	Connecting rod bearing bush	8	
10	495B-04202A	连杆盖	Connecting rod cap	4	
11	495B-04203B	连杆螺栓	Connecting rod bolt	8	

6 曲轴总成 Crankshaft assembly



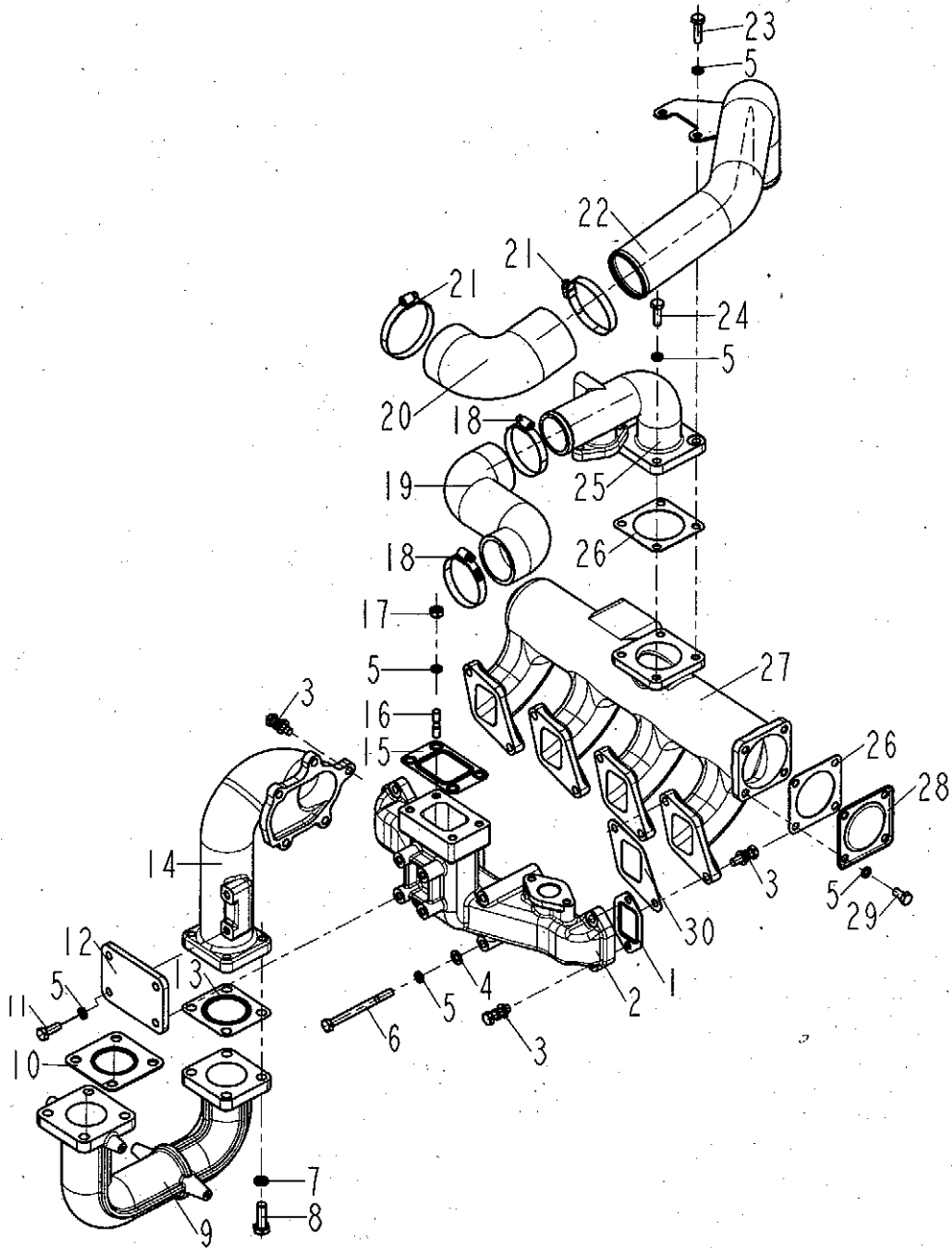
曲轴总成 Crankshaft assembly					
序号 Item	代号 Part No.	名称	Description	数量 Qty	备注 remark
1	GB/T1096-C12x8x63	键 C12x8x63	Key C12x8x63	1	
2	495B-05004-3	曲轴	Crankshaft	1	
3	GB/T119.1-10 h8x24	销 10 h8x24	Pin 10 h8x24	1	

7 飞轮总成 Flywheel assembly



飞轮总成 Flywheel assembly					
序号 Item	代号 Part No.	名称	Description	数量 Qty	备注 remark
1	NC485BPG-05002	飞轮螺栓	Flywheel bolt	6	
2	490B-05001-1	飞轮螺栓保险片	Washer for flywheel bolt	3	
3	GB/T276-6204-2Z	滚动轴承 6204-2Z	Rolling bearing 6204-2Z	1	
4	4D32ZT31-05120	飞轮轴承挡圈	Flywheel bearing circlip	1	
5	4D32ZT31-05101-17	飞轮	Flywheel	1	
6	490B-05102	飞轮齿圈	Flywheel ring gear	1	
7	4D25NG-05103	转速传感轮	Revolution speed sensor wheel	1	
8	GB/T819.2-M6x14	螺钉 M6x14	Screw M6x14	6	
9	GB/T119.1-6 h6x12	销 6 h6x12	Pin 6 h6x12	1	

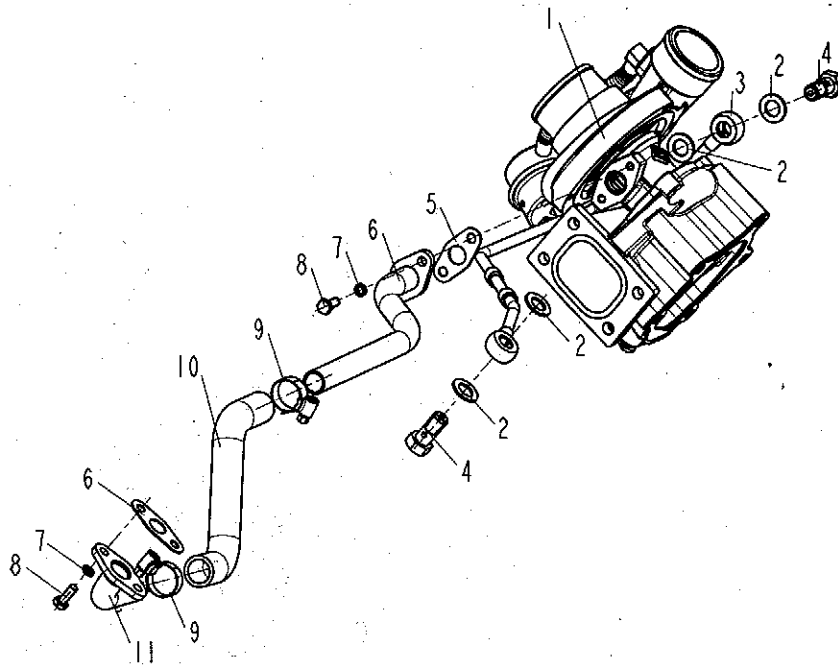
8 进排气总成 Intake,exhaust assembly



进排气总成 Intake,exhaust assembly					
序号 Item	代号 Part No.	名称	Description	数量 Qty	备注 remark
1	490B-03003	排气管衬垫	Exhaust pipe gasket	4	
2	A4D32ZLT-08001-1	排气管	Exhaust pipe	1	
3	GB9074.17-M8x28	螺栓 M8x28	Bolt M8x28	17	
4	GB97.1-8	垫圈 8	Washer 8	4	
5	GB93-8	垫圈 8	Washer 8	20	
6	GB/T5782-M8x95	螺栓 M8x95	Nut M8x95	4	
7	GB93-10	垫圈 10	Washer 10	4	
8	GB/T5783-M10x30	螺栓 M10x30	Nut M10x30	4	
9	4D32ZT31-08003-1	排气接管	Exhaust connecting pipe	1	
10	495BT-08004-1	消声器弯管垫片	Muffler elbow gasket	1	
11	GB/T5783-M8x22	螺栓 M8x22	Bolt M8x22	4	
12	A4D32ZLT-08005	加强板	Reinforcing plate	1	
13	490BT-08004-4	排气接管垫片	Exhaust connecting pipe gasket	1	
14	A4D32ZLT-08002	排气接管	Exhaust connecting pipe	1	
15	A490BZL-08003	增压器垫片	Turbocharger gasket	1	
16	GB899-GM8x20	双头螺柱 GM8x20	Stud GM8x20	4	
17	GB/T6170-M8	螺母 M8	Nut M8	4	
18	JB/T8870-D60	喉箍 D60	Hose clamp D60	2	
19	4D32ZT31-09007	带纤维夹层橡胶管	Rubber pipe with fiber interlayer	1	
20	4D32ZT31-09011	增压器进气胶管	Turbocharger intake rubber pipe	1	
21	JB/T8870-D70	喉箍 D70	Hose clamp D70	2	
22	4D32ZT31-09010-1	增压器进气接管	Turbocharger intake connecting pipe	1	

进排气总成 Intake,exhaust assembly					
序号 Item	代号 Part No.	名称	Description	数量 Qty	备注 remark
23	GB/T5783-M8x28	螺栓 M8x28	Bolt M8x28	2	
24	GB/T5783-M8x25	螺栓 M8x25	Bolt M8x25	2	
25	4D32ZT31-09003	进气接管	Intake connecting pipe	1	
26	490B-09004	进气接管衬垫	Intake connecting pipe gasket	2	
27	4D32ZT31-09002-1	进气管	Intake pipe	1	
28	490B-09005	进气管端盖	Intake pipe endcover	1	
29	GB/T5783-M8x16	螺栓 M8x16	Bolt M8x16	4	
30	490B-09001	进气管衬垫	Intake pipe gasket	4	

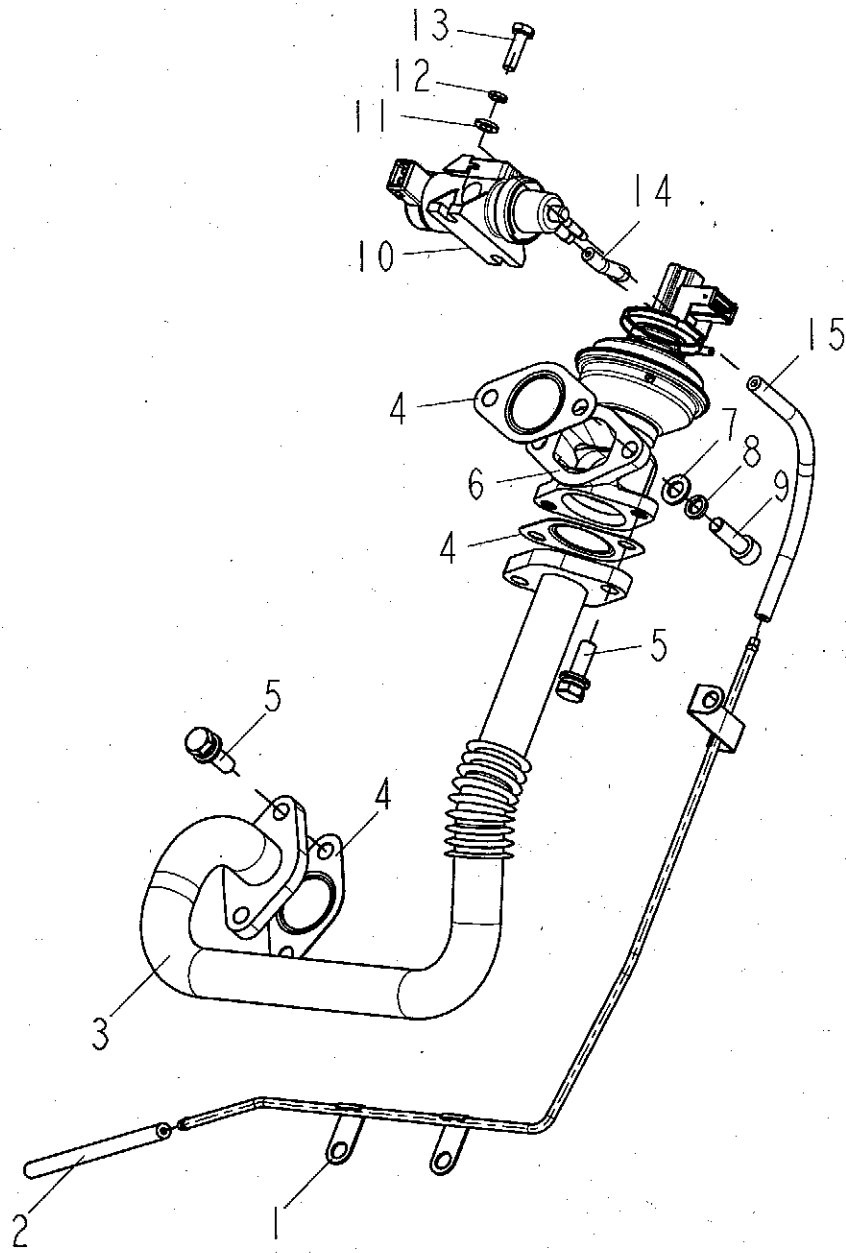
9 增压器总成 Turbocharger assembly



增压器总成 Turbocharger assembly					
序号 Item	代号 Part No.	名称	Description	数量 Qty	备注 remark
1	4D32LT30-19001	增压器部件	Turbocharger units	1	
2	NC485BZL-19002	油管接头螺钉	Fuel pipe connector screw	2	
3	A4D32ZLT-19300	增压器润滑油管部件	Turbocharger lubricating pipe units	1	
4	NC485BZL-19008	铜垫圈	Copper washer	4	
5	A490BZL-19005	回油法兰垫片	Leak-off flange gasket	2	
6	A4D32ZLT-19004	增压器回油接管	Turbocharger leak-off pipe	1	
7	GB93-6	垫圈 6	Washer 6	4	
8	GB/T5783-M6x16	螺栓 M6x16	Bolt M6x16	4	
9	JB/T8870-D25	喉箍 D25	Hose clamp D25	2	
10	A4D32ZLT-19006	增压器回油胶管	Turbocharger leak-off rubber pipe	1	
11	A498BZT-19005	回油接管	Leak-off pipe	1	

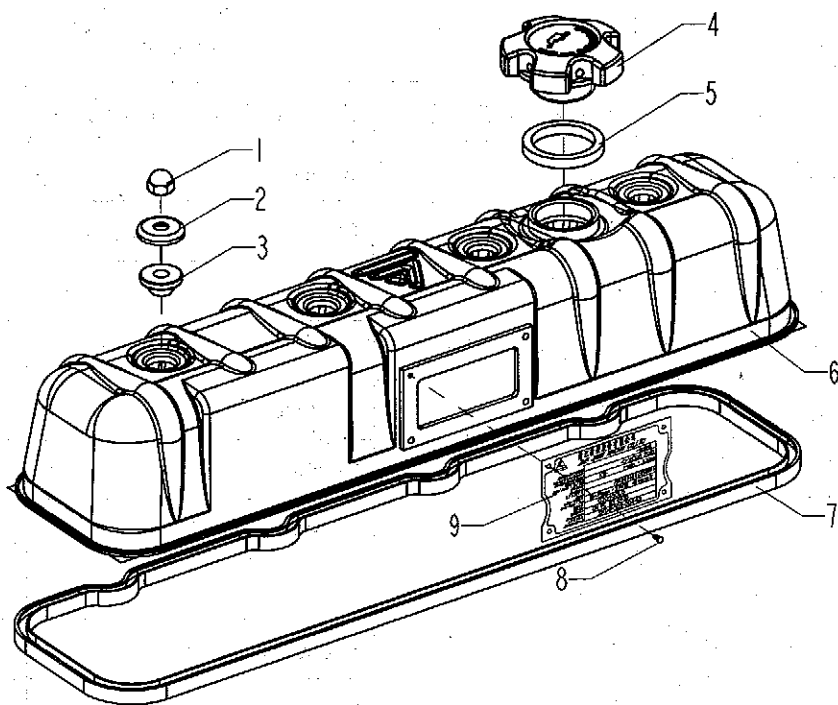
4D32ZL31-5

10 EGR 总成 Egr cover assembly



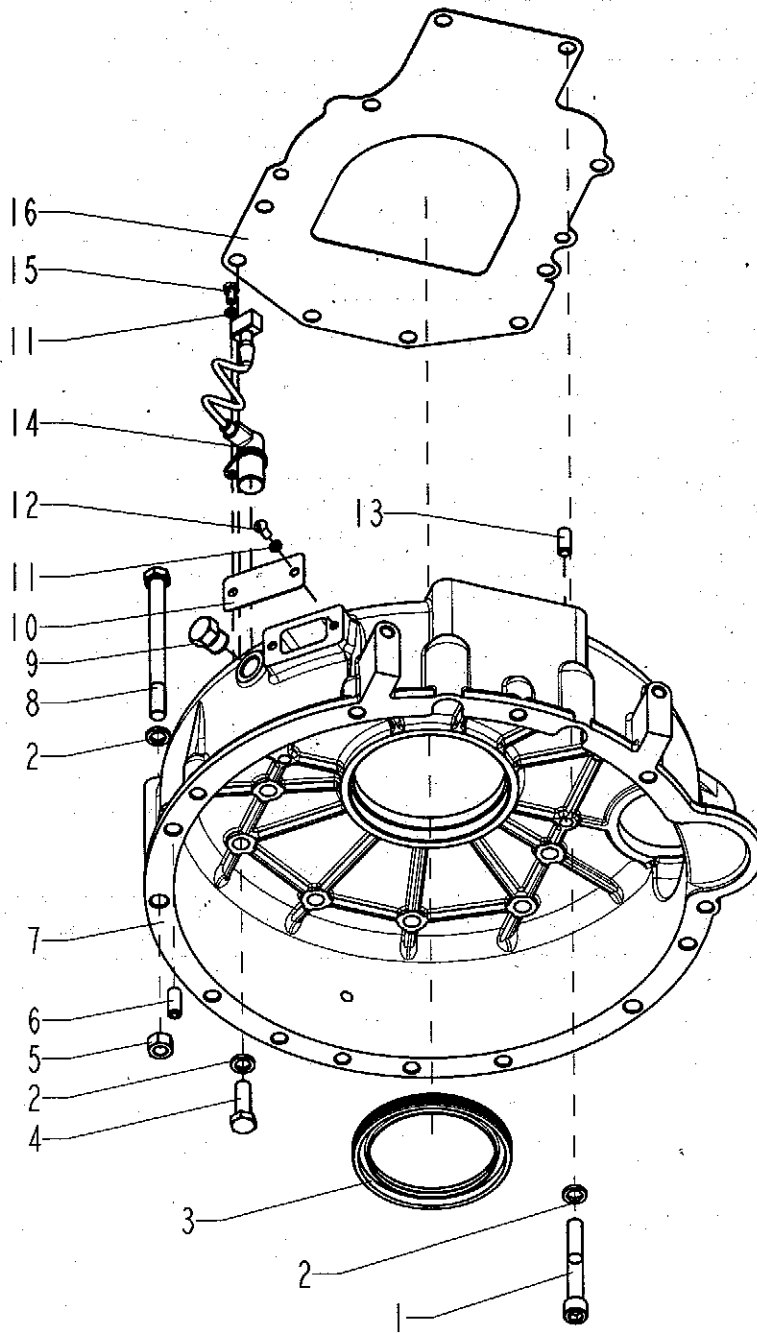
EGR 总成 Egr cover assembly					
序号 Item	代号 Part No.	名称	Description	数量 Qty	备注 remark
1	4D35LT30-37062	EGR 真空阀连接管	Egr valves connecting pipe	1	
2	4D32ZT31-37061	胶管	Sebific duct	1	
3	4D32ZT31-08006-2	EGR 连接管	EGR connecting pipe	1	
4	XC4D25Q3C-17204	EGR 法兰垫片	EGR flange gasket	3	
5	GB/T9074.17-M8x25	螺栓 M8x25	Bolt	1	
6	4D32LT30-37010	EGR 阀	Egr valve	3	
7	GB/T97.1-8	垫圈 8	Washer	2	
8	GB93-8	垫圈 8	Wsaher	2	
9	GB/T70.1-M8x25	螺钉 M8x25	Bolt	2	
10	4D32LT30-37060-1	真空调节器	Vacuum regulator	1	
11	GB/T97.1-6	垫圈 6	Washer	2	
12	GB93-6	垫圈 6	Wsaher	2	
13	GB/T5783-M6x20	螺栓 M6x20	Bolt	2	
14	4D32ZT31-37063	EGR 真空阀胶管	Egr valve vacuum hose	1	
15	4D32ZT31-37061-1	胶管	Sebific duct	1	

11 气缸盖罩总成及铭牌总成 Cylinder head cover and name plate assembly



气缸盖罩总成及铭牌总成 Cylinder head cover assembly					
序号 Item	代号 Part No.	名称	Description	数量 Qty	备注 remark
1	GB/T923-M8	盖形螺母 M8	Nut M8	4	
2	A498B-11004	垫圈	Washer	4	
3	A498B-11003	橡胶隔离套	Rubber isolation bushing	4	
4	490B-11201B	加油口盖	Cap	1	
5	490B-11014	加油口盖垫圈	Cap gasket	1	
6	A490B-11100	气缸盖罩焊接部件	Cylinder head cover	1	
7	A490B-11004	气缸盖罩橡胶垫	Rubber pad	1	
8	GB/T827-2×5	铭牌铆钉 2×5	Rivet 2×5	4	
9	A4D32ZT-11009-1	铭牌	Nameplate	1	

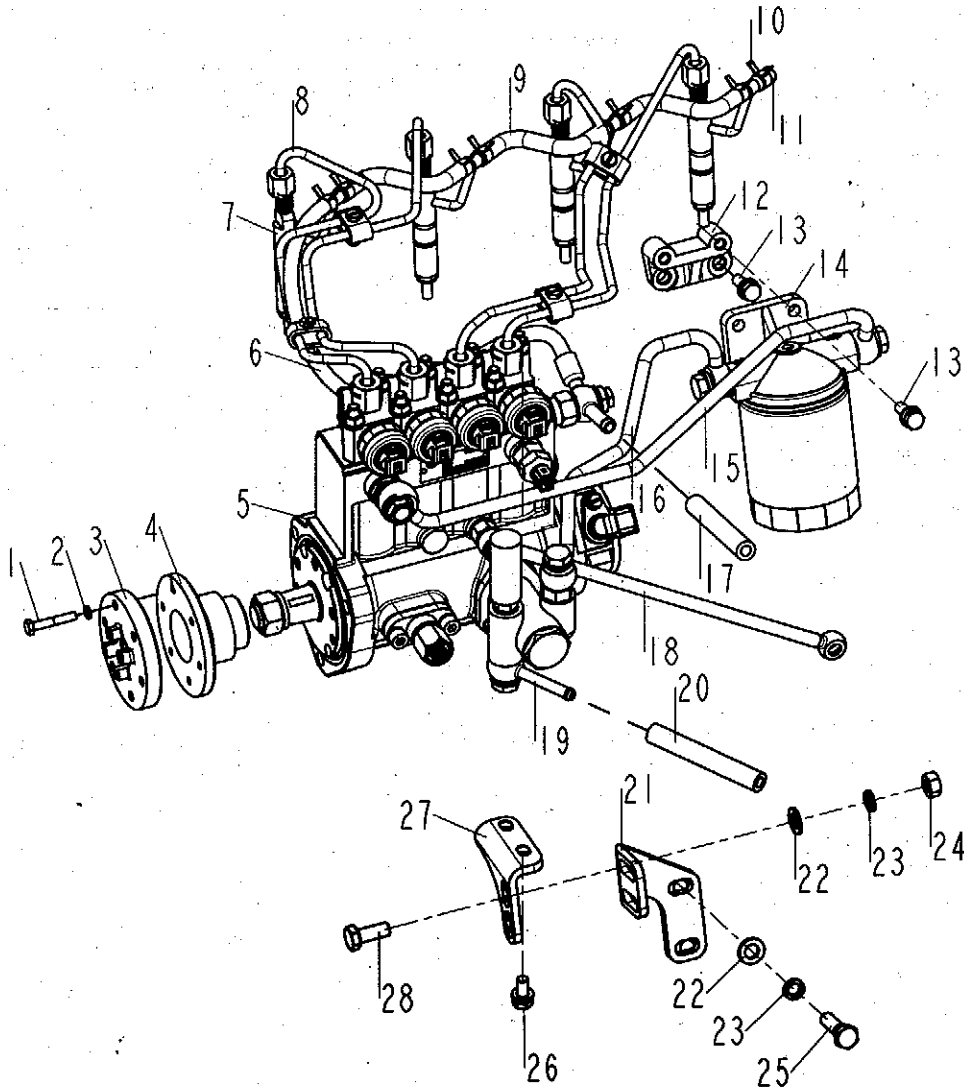
12 飞轮壳总成 Flywheel housing



飞轮壳总成 Flywheel housing assembly

序号 Item	代号 Part No.	名称	Description	数量 Qty	备注 remark
1	GB/T70.1-M12x85	螺栓 M12x85	Bolt M12x85	2	
2	GB93-12	垫圈 12	Washer 12	11	
3	490B-01036	后油封	Rear oil seal	1	
4	GB/T5782-M12x35	螺栓 M12x35	Bolt M12x35	8	
5	GB/T6170-M12	螺母 M12	Nut M12	1	
6	GB/T119.2-12x20	销 12x20	Pin 12x20	2	
7	4D32ZT31-13001-3	飞轮壳	Flywheel housing	1	
8	490BT-13008	飞轮壳螺塞	Flywheel housing plug screw	2	
9	GB/T5782-M12x140	螺栓 M12x140	Bolt M12x140	1	
10	490B-13003	观察孔盖板	Observation hole cover	1	
11	GB93-6	垫圈 6	Washer 6	3	
12	GB/T67-M6x12	螺钉 M6x12	Screw M6x12	2	
13	GB/T119.2-10x24-B	销 10x24-B	Pin 10x24-B	2	
14	4D35ZT31-37030	转速传感器	Revolution speed sensor	1	
15	GB/T5783-M6x12	螺栓 M6x12	Bolt M6x12	1	
16	490BT-13002	飞轮壳垫片	Flywheel housing gasket	1	

13 燃油供油系统 Fuel supply system assembly

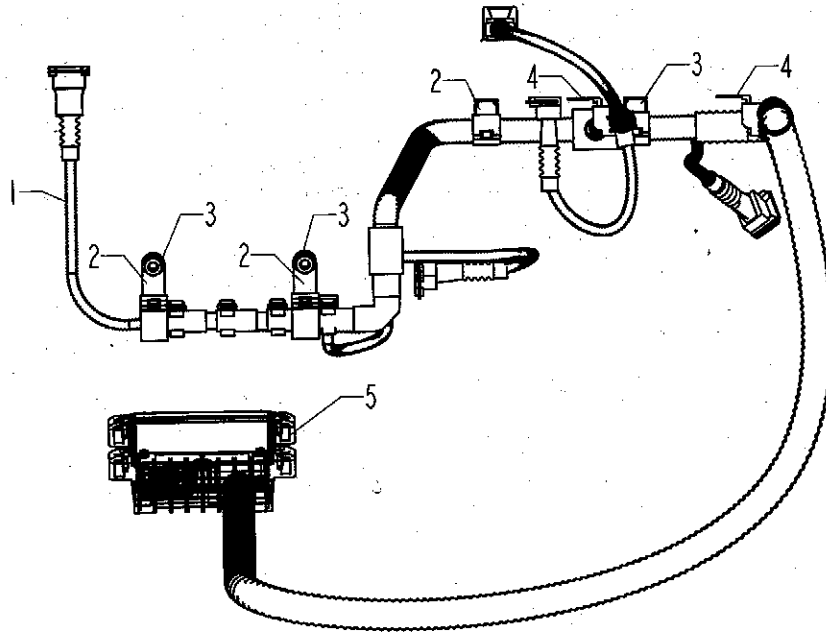


燃油供油系统 Fuel supply system assembly					
序号 Item	代号 Part No.	名称	Description	数量 Qty	备注 remark
1	GB/T5783- M6x35	螺栓 M6x35	Bolt M6x35	6	
2	GB93-6	垫圈 6	Washer 6	6	
3	4D32ZT31-02019	气泵连接轴套	Pump sleeve	1	
4	4D32ZT31-02015	喷油泵正时齿轮轴套	Fuel injection pump timing gear shaft sleeve	1	
5	4D27ZG31-21100	喷油泵	Fuel injection pump	1	
6	4D27ZG31-25100-1	喷油器回油胶管	Injector leak-off pipe	1	
7	4D32ZT31-22000	喷油器	Fuel injector	4	
8	4D32ZT31-23000-1	高压油管总成	High pressure fuel tube assembly	1	
9	498B-25002	喷油器回油管	Injector leak-off pipe	3	
10	498B-25004	喉箍	Hose clamp	8	
11	498B-25001	喷油器回油防漏帽	Fuel injector oil cap	1	
12	490B-01076B	柴油滤清器垫板	Diesel filter plate	1	
13	GB/T9074.17- M8x25	螺栓 M8x25	Bolt M10x25	4	
14	490B-24000A	柴油滤清器	Fuel filter	1	
15	4D32ZT31-25200	滤清器至喷油泵输油管 部件	Fuel supply tube from fuel filter to injection pump	1	
16	4D32ZT31-25300	喷油泵至滤清器输油管 部件	Fuel supply tube from supply pump to fuel filter	1	
17	4D32ZT31-25600	回油胶管	Oil return hose	1	
18	4K39T-21100-1	油泵强制润滑油管部件	Oil pump forced lubricating oil tube parts	1	
19	490B-25401-1	输油泵进油管接头	Fuel supply pump connector	1	
20	4D32ZT31-25500	进油胶管	Suction hose	1	
21	4D32ZT31-01077	单体泵下支架	Pump lower bracket	1	
22	GB/T97.1-10	垫圈 10	Washer 10	3	
23	GB93-10	垫圈 10	Washer 10	3	
24	GB/T6170- M10	螺母 M10	Nut M10	1	

燃油供油系统 Fuel supply system assembly

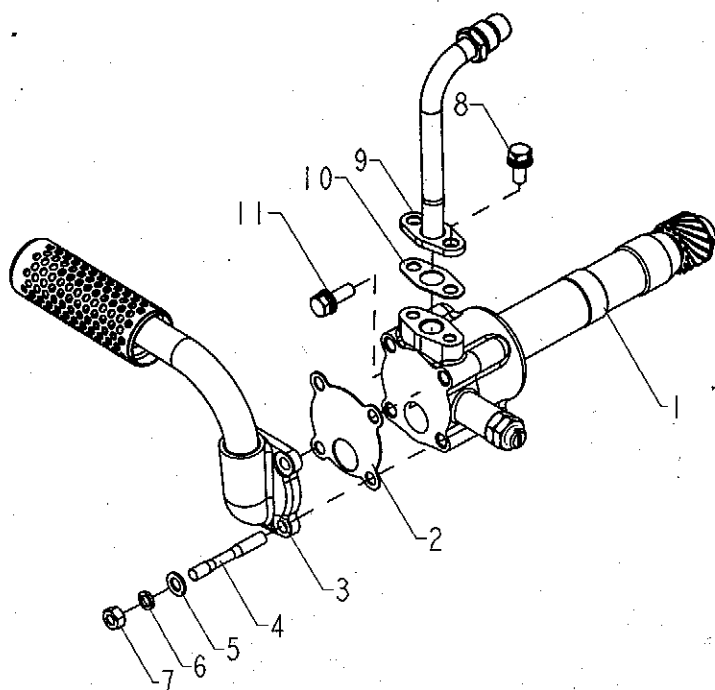
序号 Item	代号 Part No.	名称	Description	数量 Qty	备注 remark
25	GB/T5783- M10x25	螺栓 M10x25	Bolt M10x25	2	
26	GB/T9074.17-M8x18	螺栓 M8x18	Bolt M8x18	2	
27	4D32ZT31-01076	单体泵上支架	Pump upper bracket	1	
28	GB/T5783- M10x30	螺栓 M10x30	Bolt M10x30	1	

14 线束总成 Circuit group assembly



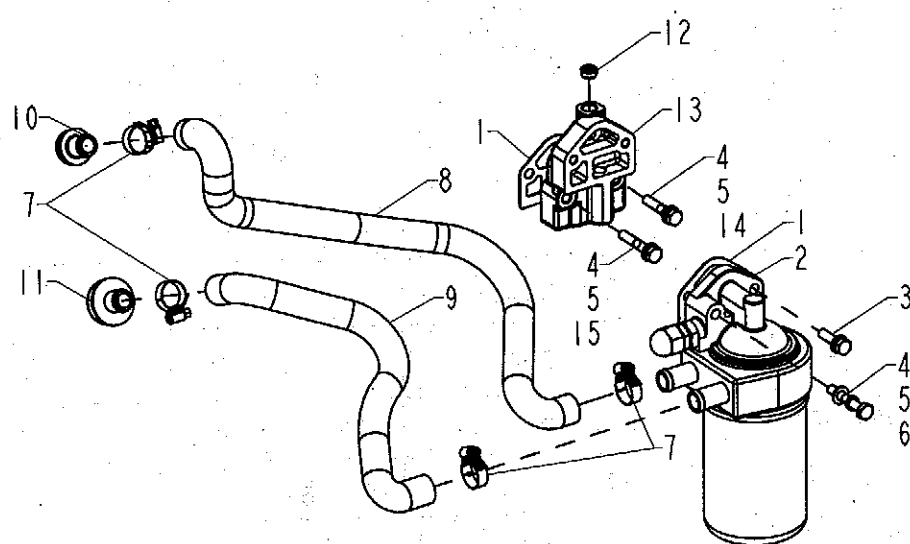
线束总成 Circuit group assemble					
序号 Item	代号 Part No.	名称	Description	数量 Qty	备注 remark
1	4D32ZT31-28200-1	线束	Circuit group	1	
2	4D27G31-28205	线束支架	Circuit group bracket	4	
3	GB/T6170- M8	螺母 M8	Nut M8	2	
4	4D32ZT31-28203	线束支架	Circuit group bracket	2	
5	4D27ZG31-28100	ECU	ECU	1	

15 机油泵总成 Oil pump assembly



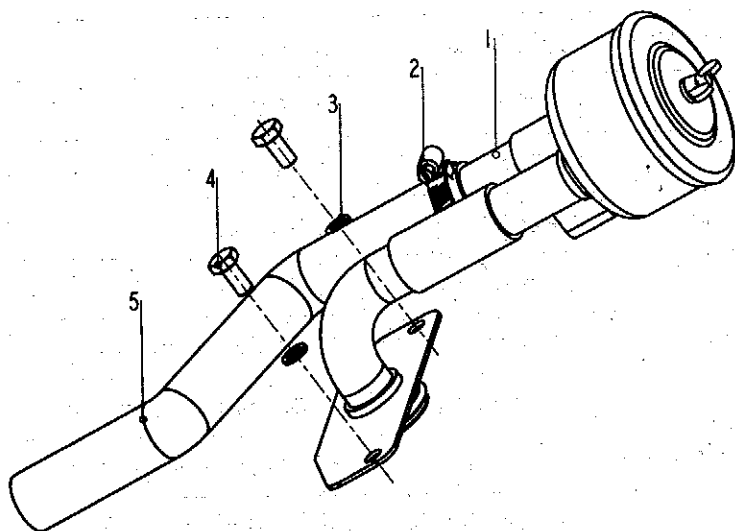
机油泵总成 Oil pump assembly					
序号 Item	代号 Part No.	名称	Description	数量 Qty	备注 remark
1	495B-31000-2	机油泵总成	Oil pump assembly	1	
2	495B-31006-3	集滤器垫片	Oil strainer gasket	1	
3	495B-31100-3	机油集滤器部件	Oil strainer unit	1	
4	GB899-AM8x45	螺柱 AM8x45	Stud AM8x45	4	
5	GB/T97.1-8	垫圈 8	Washer 8	4	
6	GB93-8	垫圈 8	Washer 8	4	
7	GB/T6170-M8	螺母 M8	Nut M8	4	
8	GB/T9074.17-M8x25	螺栓 M8x25	Bolt M8x25	1	
9	A495BZL-33000	机油管路总成	Oil pipeline assembly	1	
10	490B-33005	出油管法兰垫片	Oil outlet pipe flange gasket	1	
11	GB/T9074.17-M8x20	螺栓 M8x20	Bolt M8x20	2	

16 机油滤清器总成 Oil filter assembly



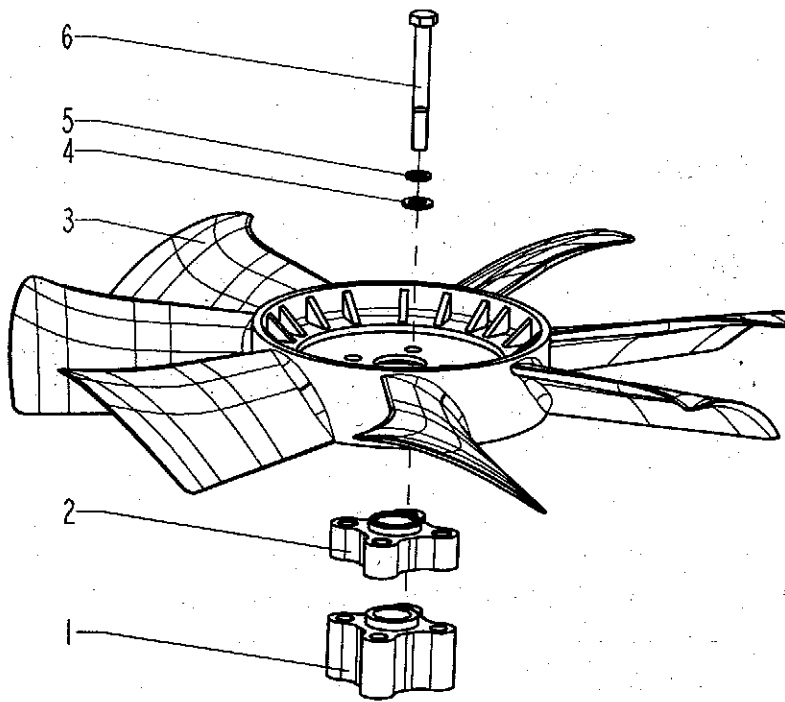
机油滤清器总成 Oil filter assembly					
序号 Item	代号 Part No.	名称	Description	数量 Qty	备注 remark
1	490B-01073	机油滤清器垫片	Oil filter gasket	1	
2	A490BZL-32000	机油滤清器总成	Oil filter assembly	1	
3	GB/T9074.17-M8x30	螺栓 M8x30	Bolt M8x30	1	
4	GB/T97.1-8	垫圈 8	Washer 8	3	
5	GB93-8	垫圈 8	Washer 8	3	
6	GB/T5782-M8X50	螺栓 M8x50	Bolt M8x50	1	
7	JB/T8870-d32	喉箍 d32	Hose clamp d32	4	
8	498B-36003	机油冷却器出水管	Oil cooler water outlet pipe	1	
9	498B-36002	机油冷却器进水管	Oil cooler water inlet pipe	1	
10	NC485BZL-01008	机油冷却进水接管	Oil cooler water inlet hose	1	
11	4D35ZT31-01008	机油冷却进水接管	Oil cooler water inlet hose	1	
12	490B-01081	螺塞 R1/8	Plug screw R1/8	3	
13	490B-01072-3	机滤垫块	Oil filter plate	1	
14	GB/T5782-M8x40	螺栓 M8x40	Bolt M8x40	1	
15	GB/T5782-M8x45	螺栓 M8x45	Bolt M8x45	1	

17 呼吸器总成 Air intake assembly



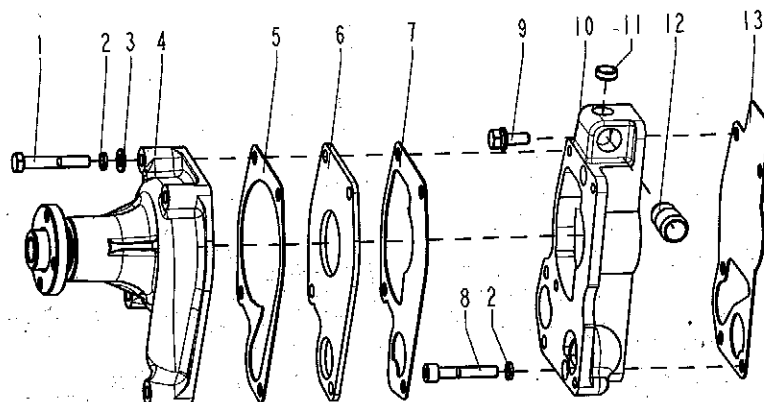
呼吸器总成 Breathing apparatus assembly					
序号 Item	代号 Part No.	名称	Description	数量 Qty	备注 remark
1	495B-34000-2	呼吸器	Breathing apparatus	1	
2	JB/T8890-d32	喉箍 d32	Hose clamp d32	1	
3	GB93-8	垫圈 8	Washer 8	2	
4	GB/T5783-M8X16	螺栓 M8x16	Bolt M8x16	2	
5	495B-34014B	通气管	Breather pipe	1	

18 风扇总成 Fan assembly



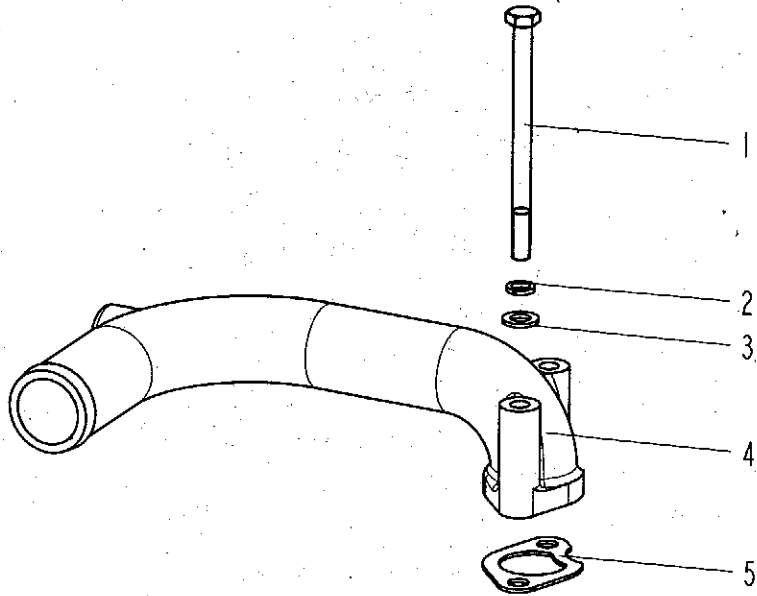
风扇总成 Fan assembly					
序号 Item	代号 Part No.	名称	Description	数量 Qty	备注 remark
1	490B-41003-9	风扇垫块	Fan block	1	
2	490B-41003-10	风扇垫块	Fan block	1	
3	Z420-28-52-7	风扇	Fan	1	
4	GB/T97.1-8	垫圈 8	Washer 8	4	
5	GB859-8	垫圈 8	Washer 8	4	
6	GB/T5782-M8x65	螺栓 M8x65	Bolt M8x65	4	

19 水泵总成 Water pump assembly



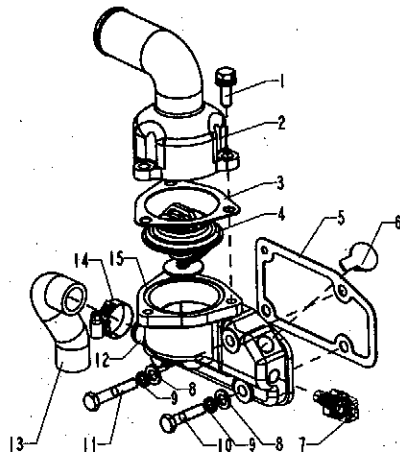
水泵总成 Water pump assembly					
序号 Item	代号 Part No.	名称	Description	数量 Qty	备注 remark
1	GB/T5782-M8x55	螺栓 M8x55	Bolt M8x55	3	
2	GB93-8	垫圈 8	Washer 8	5	
3	GB/T97.1-8	垫圈 8	Washer 8	3	
4	495B-42100-2	水泵部件	Water pump	1	
5	495B-42005-1	水泵垫片	Water pump gasket	1	
6	490B-42006	水泵隔板	Water pump clapboard	1	
7	490BT-42011	水泵垫板垫片	Water pump clapboard gasket	1	
8	GB/T70.1-M12x45	螺栓 M8x45	Bolt M8x45	2	
9	GB/T9074.17-M8x22	螺栓 M8x22	Bolt M8x22	1	
10	490BT-42010-1A	水泵接头	Water pump connector	1	
11	490B-01080	碗型塞片 15	Bowl-shaped plug 15	1	
12	490B-01074	接管	Connecting pipe	1	
13	490BT-42011-1A	水泵接头垫片	Water pump connector gasket	1	

20 进水管总成 Water over assembly



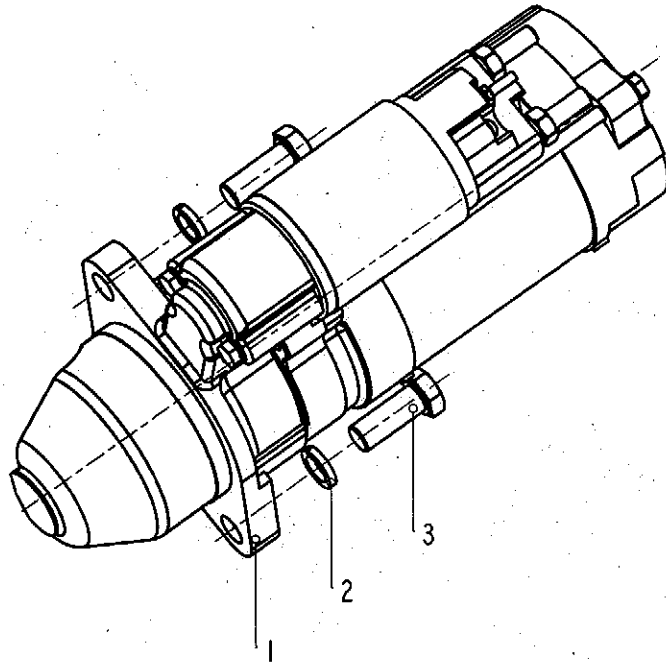
进水管总成 Water over assembly					
序号 Item	代号 Part No.	名称	Description	数量 Qty	备注 remark
1	GB/T5782-M8x100	螺栓 M8x100	Bolt M8x100	2	
2	GB93-8	垫圈 8	Washer 8	2	
3	GB/T97.1-8	垫圈 8	Washer 8	2	
4	490BT-01011-1	进水管	Water inlet pipe	1	
5	490BT-01012	进水管垫片	Water inlet pipe gasket	1	

21 节温器总成 Thermostat assembly



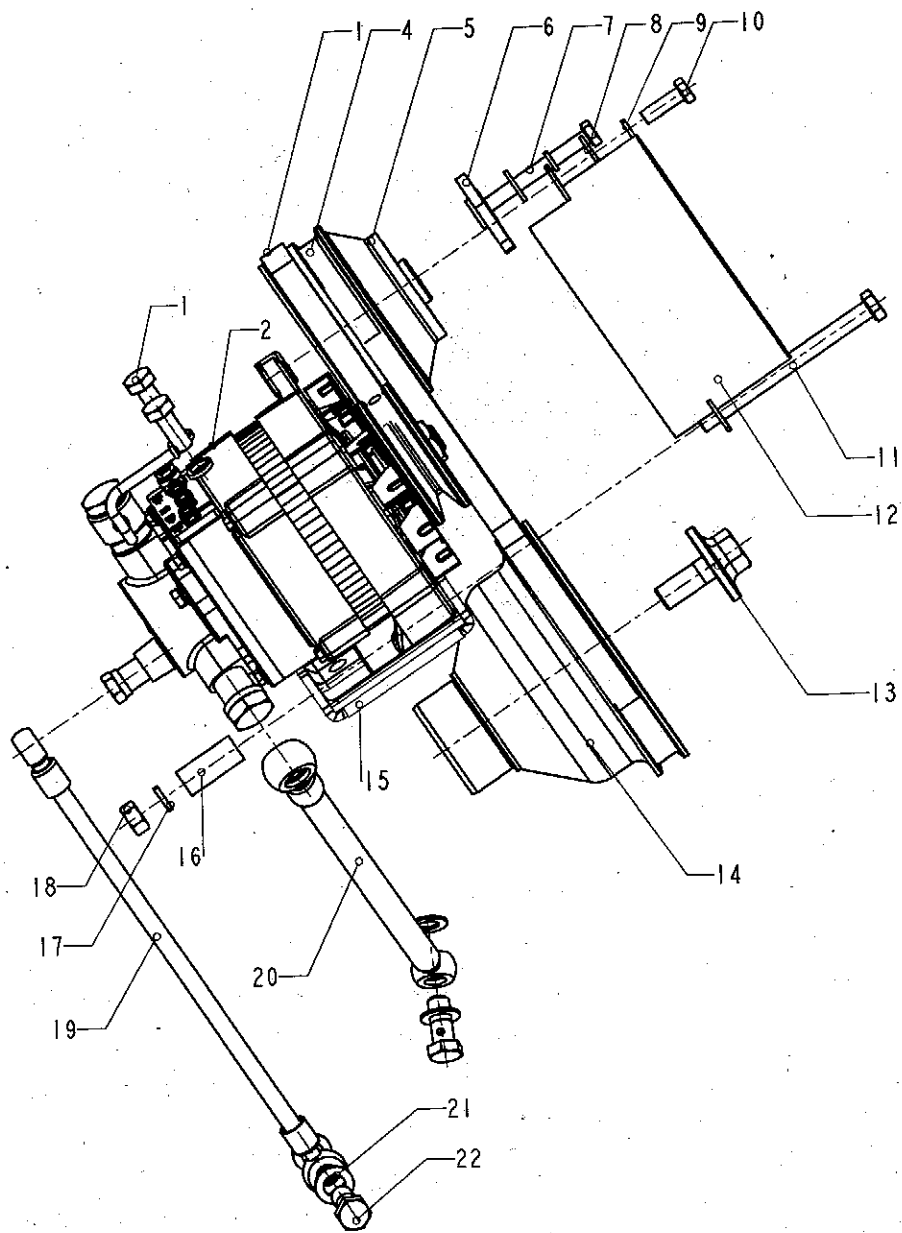
节温器总成 Thermostat assembly					
序号 Item	代号 Part No.	名称	Description	数量 Qty	备注 remark
1	GB9074.17- M8×25	六角头螺栓 M8×25	Bolt M8×25	3	
2	490B-43001-8	节温器盖	Thermostat cover	1	
3	490B-43003	节温器盖垫片	Thermostat cover gasket	1	
4	490B-43002	腊式节温器	Thermostat	1	
5	490B-43005	节温器壳垫片	Thermostat housing gasket	1	
6	490B-43008-2	橡胶堵塞	Rubber plug	1	
7	4D32LT30-37040	水温传感器	Water temperature sensor	1	
8	GB9074.17- M8×35	六角头螺栓 M8×35	Bolt M8×35	3	
9	GB9074.17- M8×45	六角头螺栓 M8×45	Bolt M8×45	1	
10	490B-01074	接管	Connecting pipe	1	
11	490BT-43007	小循环水管	Water pipe	1	
12	JB/T8870- D28	喉箍 D28	Hose clamp D28	2	
13	4D32-43101	节温器壳	Thermostat housing	1	

22 起动机总成 Starter assembly



起动机总成 Starter assembly					
序号 Item	代号 Part No.	名称	Description	数量 Qty	备注 remark
1	490B-51000-7	起动机	Starter	1	
2	GB93-12	垫圈 12	Washer 12	2	
3	GB/T5783-M12x30	螺栓 M12x30	Bolt M12x30	2	

23 发电机及皮带总成 Alternator and belt assembly



发电机及皮带总成 Generator and belt assembly

序号 Item	代号 Part No.	名称	Description	数量 Qty	备注 remark
1	GB/T5783-M10x25	螺栓 M10x25	Bolt M10x25	2	
2	4D27T-52000	充电发电机总成	Charging generator	1	
3	AV15x680Le	风扇皮带 AV15x680Le	Fan belt AV15x680Le	1	
4	AV15x930Le	风扇皮带 AV15x930Le	Fan belt AV15x930Le	1	
5	490BT-41002-3	风扇皮带轮	Fan pulley	1	
6	495BT-53001-3	发电机撑架	Adjusting lever for generator	1	
7	GB/T5782-M8x70	螺栓 M8x70	Bolt M8x70	1	
8	GB/T97.1-8	垫圈 8	Washer 8	2	
9	GB93-8	垫圈 8	Washer 8	2	
10	GB/T5783-M8x25	螺栓 M8x25	Bolt M8x25	1	
11	GB/T5782-M10x115	螺栓 M10x115	Bolt M10x115	1	
12	4K39T-53005-2	发电机保护罩	Generator protective cover	1	
13	490B-05008	曲轴 V 带轮紧固螺栓	Crankshaft V-belt bolt	1	
14	490BT-05006-1	曲轴 V 带轮	Crankshaft V-belt	1	
15	490BT-53002-4	发电机支架	Generator bracket	1	
16	490BT-53003	充电发电机支架衬管	Generator bracket liner pipe	1	
17	GB93-10	垫圈 10	Washer 10	3	
18	GB/T6170-M10	螺母 M10	Nut M10	1	
19	490B-52100-2A	真空泵进油部件	Vacuum pump oil inlet unit	1	
20	490B-52200-2A	真空泵回油部件	Vacuum pump oil return unit	1	
21	NC485BZL-19008	铜垫圈	Copper washer	4	
22	NC485BZL-19002	油管接头螺钉	Oil pipeline connector bolt	2	