



Technical Specifications

Engine

Model	Kubota D1105 (EU Stage III Emissions)
Type	Direct Injection, Water Cooled
No. of Cylinders	3-Cylinder Diesel Engine
Net Peak Power	18.7 kW (25HP) @ 3000 rpm
Fuel Tank Capacity	17 Litres

Main Performance

Swing Speed	rpm	0-9
Traveling Speed	km/h	2.8
Grade Ability	Degrees	35
Ground Pressure	KPa	30
Traveling Tracking Force	kN	15.2
Bucket Digging Force	kN	18
Arm Digging Force	kN	11

Hydraulic System

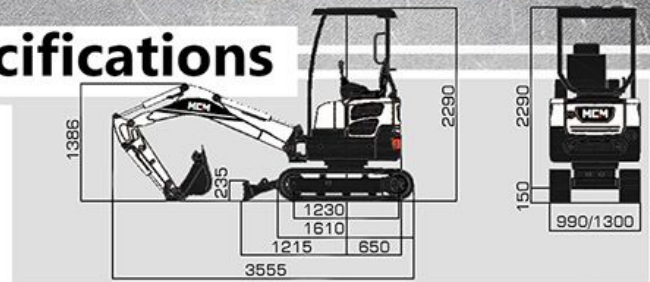
Hydraulic Pump	Italian Casappa	
Main Valve	Italian Wavoil	
Circuit Type	Single Piston	
Pump Capacity	L/min	40
System Pressure	MPa	21.5
Tank Capacity	L	18
Traveling & Swing Motors	USA Eaton	

Operation Parameters

Operation Weight	kg	1900
Standard Bucket Capacity	m ³	0.07
Max. Digging Radius	mm	4040
Max. Digging Depth	mm	2400
Max. Working Height	mm	3700
Max. Dumping Height	mm	2440
Max. Dozer Cutting Depth	mm	270
Max. Dozer Lifting Height	mm	240
Min. Swing Radius	mm	1610

Under our policy of continuous improvement, we reserve the right to change technical data and design without prior notice.

+27(0)79 667 7874 or +27(0)82 058 4434 or info@mcmco.co.za

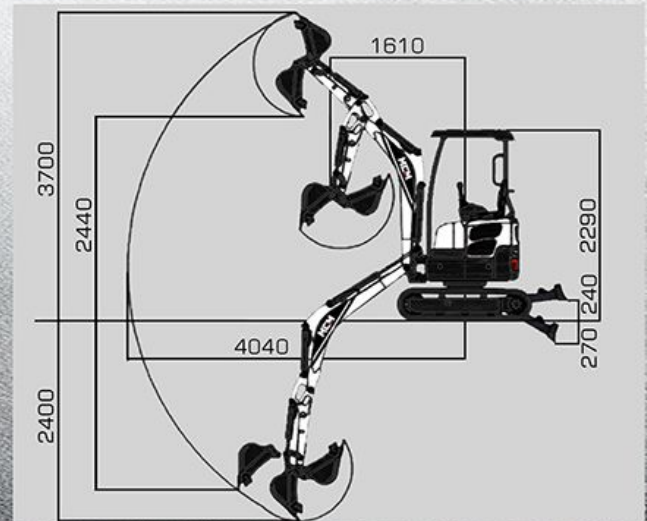


Overall Dimensions

Overall Length	mm	3350
Overall Width	mm	1300
Overall Height	mm	2290
Ground Clearance	mm	150
Track Length	mm	1610
Track Width	mm	990/1300
Undercarriage Width	mm	990
Dozer Blade	mm	1050 x 240

ATTACHMENTS

Auger
Ripper
Bucket
Breaker
Grapple





ZERO
TAIL
SWING

SERVICE PORTS

INDEPENDANT BOOM SWING

ADJUSTABLE TRACK WIDTH

Key Specifications

HIGHLIGHTED FEATURES

- The MCM 20DS combines power with versatility to tackle demanding jobs in a variety of conditions.
- The latest design enables a stronger bucket breakout force resulting in smooth, productive operation.
- The 20DS' zero tailswing enables operation in tight and confined spaces, as the tail of the 20DS is always within the track-width when swivelling the house 360 degrees.
- The 20DS offers independent boom swing which enables digging operations close to obstacles without needing to reposition the whole excavator.
- The 20DS is equipped with a powerful and compact 3-Cylinder Kubota engine, powering reliable imported hydraulic components to get the job done.



Optional Steel Tracks



Intuitive Operator Controls



Zero Tailswing



Independant Boom Swing



Variable Chassis Width



Two-Speed Travel Function



Additional Auxiliary Lines



Centralized Grease Bank



Protected Hydraulic Hoses



3-Cylinder Kubota Engine

THE FUTURE IS BUILT



INTERNATIONAL DISTRIBUTION