



Technical Specifications

■ Engine

Machine	25G
Model	Changchai 4G33TCR
Net Peak Power	70kW (93.8hp) @ 2400 rpm
Type	Direct Injection, Water Cooled
No. of Cylinders	Diesel 4-cylinder Engine
Fuel Tank Capacity	75 Litres

■ Transmission System

Type	Hydraulic Transmission Box	
Gears Forward/Reverse	2 Forward/2 Reverse	
Travel Speed	km/h	20-30
Max. Torque	Nm	330
Transfer Case	4WD	
Brake Control	Single Line, Air Brake	

■ Operation Dimensions

A Total Travel Length	mm	6200
B Total Travel Height	mm	2700
Total Travel Width	mm	2050
C Wheel Track	mm	1510
Bucket Width	mm	2050
Wheel Base	mm	1560

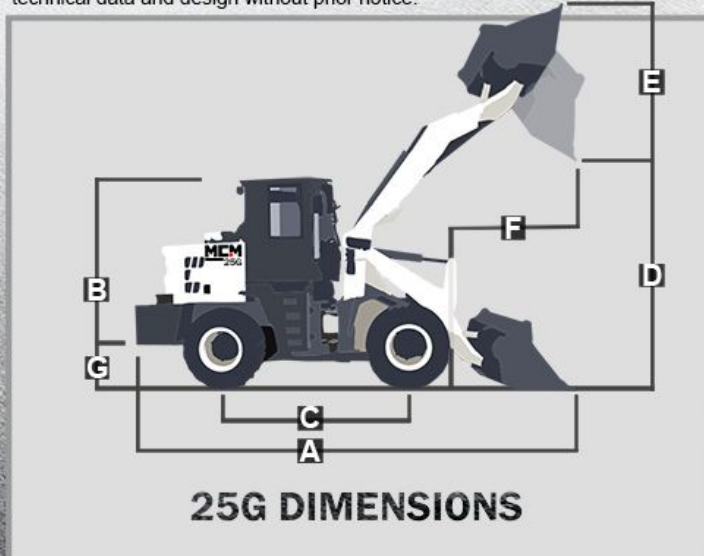
■ Attachments

Augers	Breakers	Brush Cutters	Buckets	Earth Drills
Forks	Grapples	Rippers	Shears	And More

■ Operation Parameters

Operating Weight	kg	5500
Max. Rated Load	kg	2500
Bucket Capacity	m ³	1.2
D Max. Dumping Height	mm	3150
E Max. Working Height	mm	3450
F Min. Dumping Distance	mm	1100
Max. Dumping Angle	degrees	40-45
Max. Tractive Force	kN	92
Max. Breakout Force	kN	130
Hydraulic Flow Rate	L/min	110
System Pressure	MPa	16
Min. Turning Radius	mm	4800
G Min. Ground Clearance	mm	310

*Under our policy of continuous improvement, we reserve the right to change technical data and design without prior notice.



**BUILDING THE
FUTURE**



Key Specifications

HIGHLIGHTED FEATURES

- The **25G Wheel loader** is made with performance, efficiency, ergonomics, serviceability, safety, reliability and comfort.
- Performance-wise, the 25G is **packed with power, big torque, high power-to-weight ratio, powerful breakout force and excellent traction.**
- We also offer a **wide variety of attachments** for your front-end loader like buckets, grapples, sweepers, sprayers, mulchers and more.
- A spacious operator station features a fully adjustable suspension seat, adjustable steering column and A/C Climate Control.
- Finally, we want to emphasize that a key focus for MCM's G-Series Wheel Loaders is **strength in design.**



■ **New Robust Build**



■ **Hydraulic Assisted Steering**



■ **Self Leveling Boom**



■ **All Terrain Tyres**



■ **Hydraulic Quick Hitch**



■ **Optimum Operator Visibility**



■ **Wide Variety Of Attachments**



■ **Engine accessibility**



■ **Reverse Camera**



■ **Comfortable Operator Station**

THE FUTURE IS BUILT

