

MCM

15G



Technical Specifications

■ Engine

Machine	15G
Model	Changchai 490
Type	Direct Injection, Water Cooled
No. of Cylinders	Diesel 4-cylinder Engine
Net Peak Power	39KW(52HP) @ 2300rpm
Fuel Tank Capacity	45 Litres

■ Transmission System

Type	Hydraulic Transmission Box	
Gears Forward/Reverse	2 Forward/2 Reverse	
Travel Speed	km/h	28
Max. Torque	Nm	195
Transfer Case	4WD	
Brake Control	Air Brake	

■ Operation Dimensions

A Total Travel Length	mm	5200
B Total Travel Height	mm	2700
Total Travel Width	mm	1750
C Wheel Track	mm	1485
Bucket Width	mm	1880
Wheel Base	mm	2000

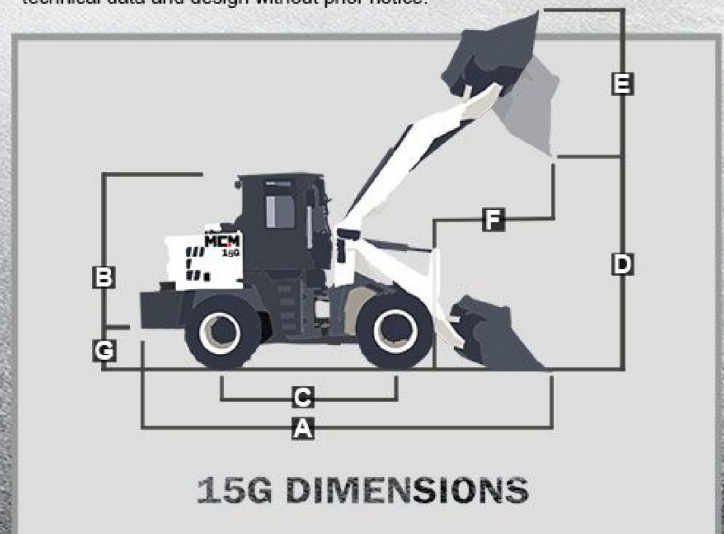
■ Attachments

Augers	Breakers	Brush Cutters	Buckets	Earth Drills
Forks	Grapples	Rippers	Shears	And More

■ Operation Parameters

Operating Weight	kg	3000
Rated Load	kg	1500
Bucket Capacity	m ³	0.65
D Max. Dumping Height	mm	3300
E Max. Working Height	mm	4210
F Min. Dumping Distance	mm	1200
Max. Dumping Angle	degrees	40-45
Max. Tractive Force	kN	49
Max. Breakout Force	kN	48
Hydraulic Flow Rate	L/min	60
System Pressure	MPa	16
Min. Turning Radius	mm	3950
G Min. Ground Clearance	mm	250

*Under our policy of continuous improvement, we reserve the right to change technical data and design without prior notice.



**BUILDING THE
FUTURE**



Key Specifications

HIGHLIGHTED FEATURES

- The 15G Wheel loader is made with performance, serviceability, safety and reliability.
- It's fitted with a 39kW (52.3HP) Changchai engine, powering a 2-speed transmission and a dumping height of up to 2.8m.
- We also offer a wide variety of attachments for your front-end loader like buckets, grapples, sweepers, sprayers, mulchers and more.
- Finally, we want to emphasize that a key focus for MCM's G-Series Wheel Loaders is strength in design.
- The 15G is a perfect choice for businesses looking for a low cost productive machine with a durable mechanical build and reliable engine.



Robust Counterweight Build



Replaceable Window Panels



LED Working Lights



Standard Joystick Controls



Hydraulic Quick Hitch



Optimum Engine Accessibility



Heavy Duty Axles



All Terrain Tyres



Hydraulic-assisted Steering



New Engine Compartment

THE FUTURE IS BUILT

