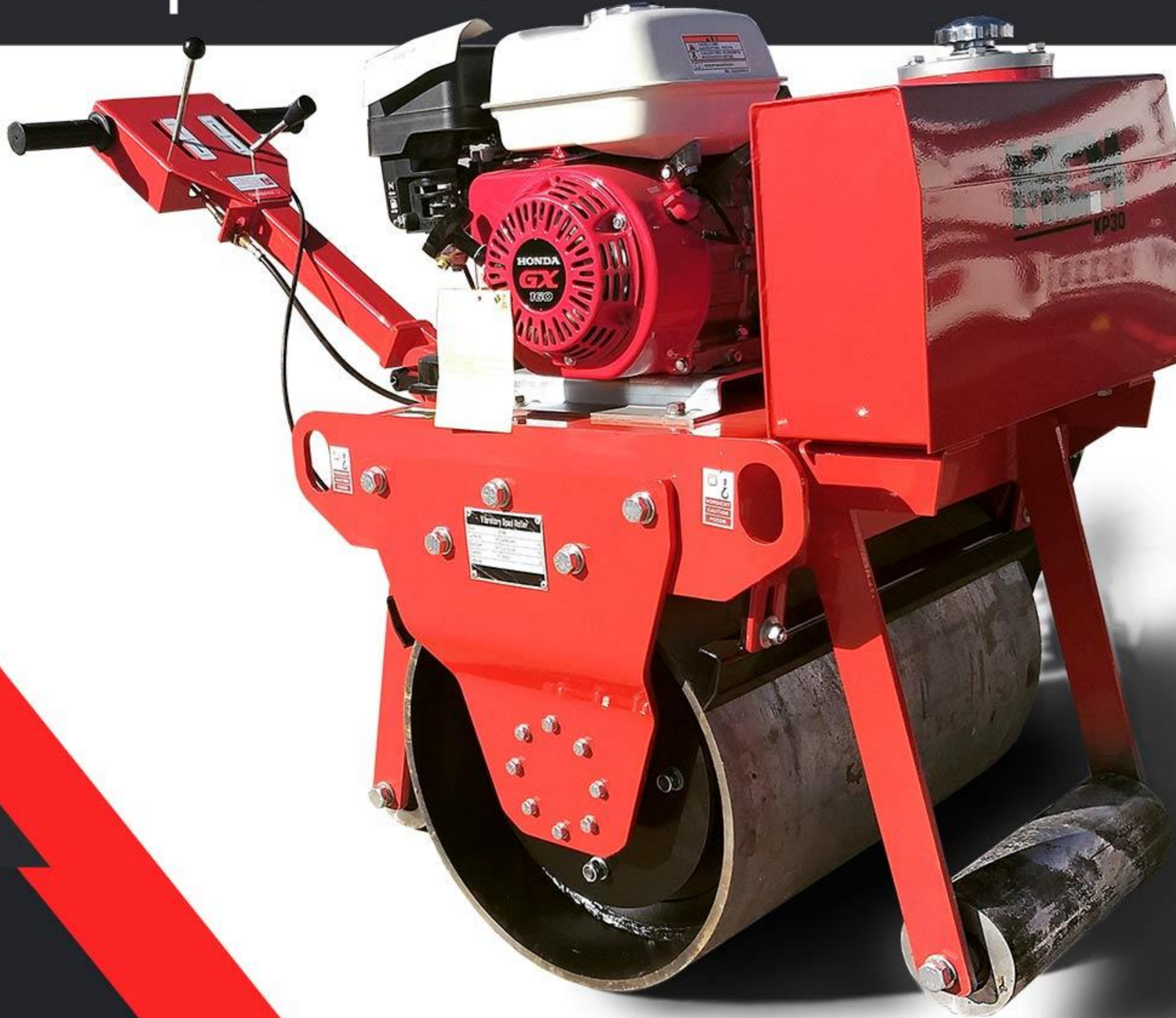


KP30 | COMPACT & POWERFUL

MCM



TOP PERFORMING
**KP30 SINGLE
DRUM ROLLER**
CLASS LEADNING

THE
FUTURE IS BUILT

The pioneer in its class...

Trust the KP30
and get the job done!



The KP30 is a light, all-round model that stands out with easy handling in confined spaces. Ideal whenever manoeuvrability and quick transport are key factors.

With a robust design, intuitive operation, and safe handling, the KP30 roller is the first choice on every construction site.

The maintenance-free, mechanical drive ensures constant traction on any job. The KP30 is ideal for trench and sewage systems, gardening, landscaping, compaction on backfill, foundations, patching and repairs.

EXCEPTIONAL STANDARD FEATURES

- Adjustable steering rod
- Vibration & throttle regulation control
- Adjustable drum scrapers, front & rear
- Support drums, front & rear
- Four securing points for transport
- Sprinkler system
- Large water tank



Mechanical drive ensuring constant traction



Single drum vibration



Honda GX160 - Engineered For Success

ENGINE SPECIFICATIONS	
Model	GX160 T1
Type	4-stroke, OHV, single cylinder, inclined by 25°
Displacement	163 cm ³ (9.9 cu-in)
Max. Horsepower	5,5 HP (4,4 kW) @ 4,000 rpm
Max. Torque (Crank PTO)	11 N.m (1,1 kg-m, 8 ft-lb) @ 2,500 rpm
Carburetor	Horizontal type, butterfly valve
Cooling System	Forced-air
Ignition System	Transistorized magneto ignition
Lubricating System	Splash
Starting System	Recoil starter
Stopping System	Ignition primary circuit ground
Fuel Used	Unleaded gasoline (octane number 86 or higher)
Fuel Consumption	1,2 Litres (0.31 US gal) / h
PTO Shaft Rotation	Counterclockwise (from PTO shaft side)

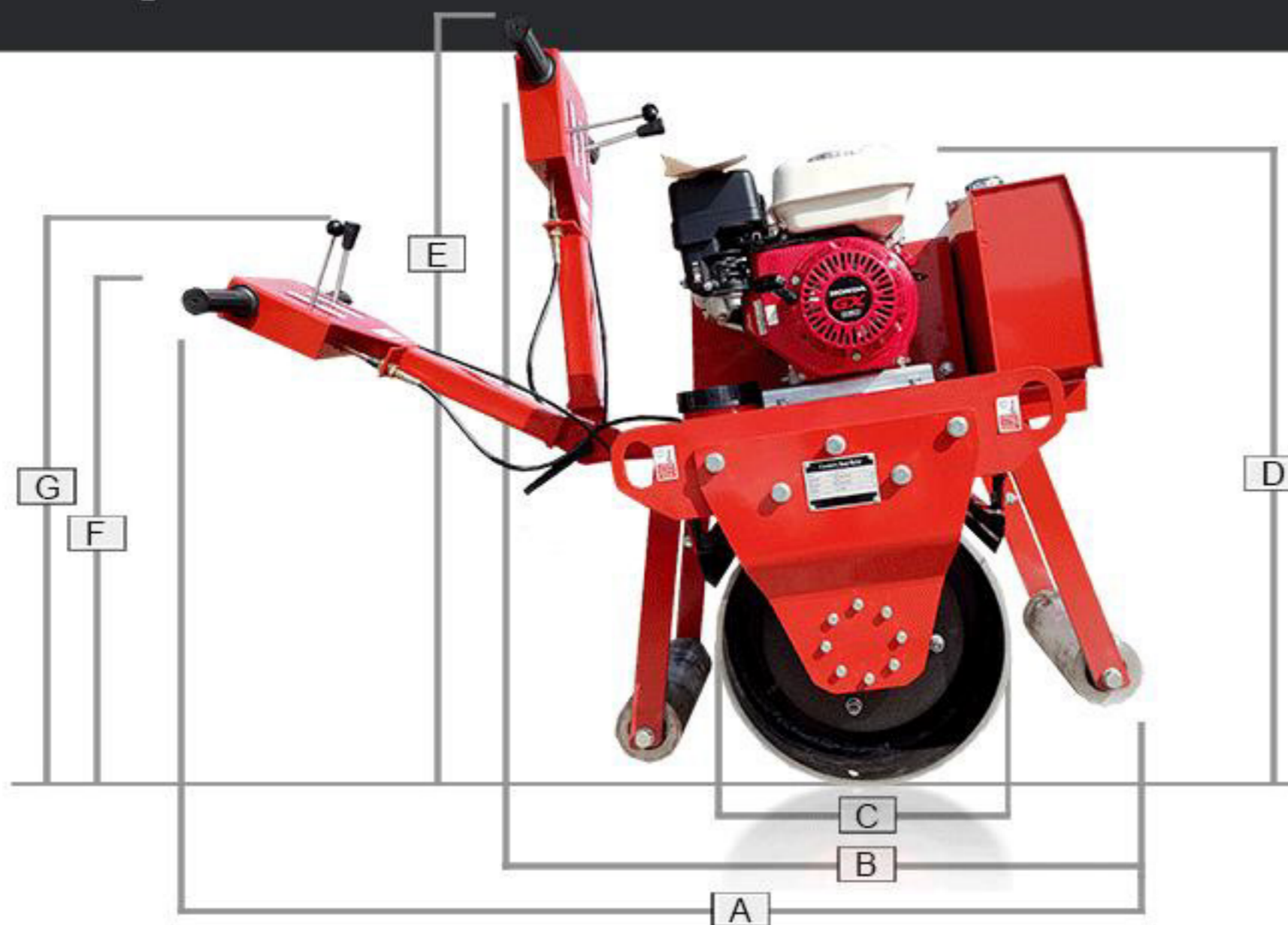
Powered By The Proven Honda Engine

The Honda GX160 T1 is a 163 cc single-cylinder, 4-stroke internal combustion gasoline engine manufactured by Honda Motor Company.

The Honda GX160 T1 engine has an OHV (overhead valve) design; high compression ratio for better fuel efficiency; horizontal type carburetor with butterfly valve; heavy duty recoil or electric starter and transistorized magneto ignition system.



HONDA GX160 T1	
Bore x Stroke, mm (in)	68 x 45 (2,7 x 1,8)
Recommended Oil Type	SAE 10W-30
Oil Capacity, L (qt)	0.6 (0.63)
Air Cleaner	Dual Element
Dry Weight, kg (lb)	15,1 (33)



STATIC DIMENSIONS

A	Operating Length, mm (in)		1350 (53.14)
B	Travel Length, mm (in)		950 (37.4)
C	Drum Diameter, mm (in)		425 (16.73)
D	Operating Height, mm (in)		1060 (41.73)
E	Travel Height, mm (in)		1140 (44.88)
F	Height of Guide Bar, mm (in)		980 (38.58)
G	Height of Joystick, mm (in)		1060 (41.73)
H	Drum Width, mm (in)		600 (23.62)
I	Stabaliser Drum Width, mm (in)		340 (13.38)
J	Travel Width, mm (in)		760 (29.92)
K	Side Overhang, mm (in)	Left	130 (5.11)
		Right	40 (1.57)
L	Curb Clearance, mm (in)	Left	130 (5.11)
		Right	300 (11.81)

OPERATING DATA

Operating Weight, kg (lb)	325 (716.5)
Drive System	Hydraulic Station
Vibration Frequency, Hz (vpm)	70 (420)
Nominal Amplitude (front/rear), mm (in)	0.6 (0.023)
Static Linear Load, N.cm (ozf.in)	40 (56.6)
Driving Speed, km/h (mph)	0 - 3 (0 - 1.86)
Fuel Tank Capacity, L (gal)	3.1 (0.81)
Hydraulic Oil Tank Capacity, L (gal)	19 (5.01)
Water Tank Capacity, L (gal)	17 (4.49)
Starting System	Manual
Sprinkler System	Gravity
Parking Brake	Manual



BECAUSE TOGETHER, THE FUTURE IS BUILT

Your nearest MCM dealer

5701/6242 en-ZA 2020

KP30 PEDESTRIAN ROLLER

Engine: Honda GX160
Max. engine power: 4,1kW (5,5hp)
Operating weight: 325kg (716.5lb)

Download the very latest information on this product range at: www.mcmcogroup.com

© 2019, MCM Sales. All rights reserved. No part of this publication may be reproduced, stored in a retrieval system, or transmitted in any form or by any other means, electronic, mechanical, photocopying or otherwise, without prior permission from MCM Sales. All references in this publication to operating weights, sizes, capabilities and other performance measurements are provided for guidance only and may vary dependant upon the exact specification of machine. They should not therefore be relied upon in relation to suitability for a particular application. Guidance and advise should always be sought from your MCM Dealer. MCM reserves the right to change specifications without notice. Illustrations and specifications shown may include optional equipment and accessories. All images are correct at time of print.

MCM